

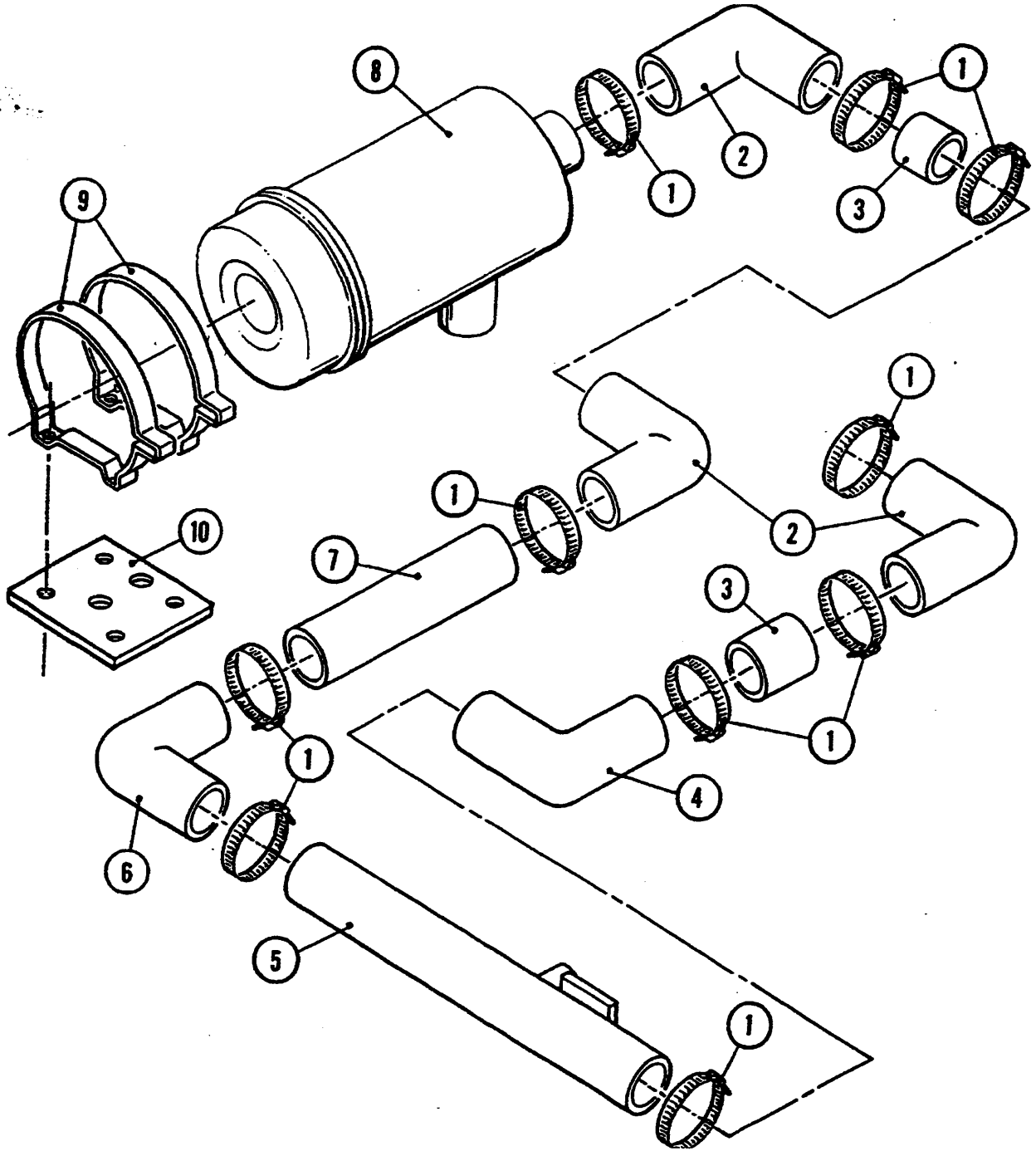


# POWERBOSS®

## PARTS SECTION FOR: 80, 82, & 90 SWEEPER/SCRUBBERS

AIR CLEANER - KUBOTA	2	INSTRUMENT PANEL	104
AXLE, BRAKES, AND WHEELS	4	LIGHTS	106
BATTERY	6	LOW DUMP ARM ASSEMBLY	108
BLOWER	8	LOW DUMP HOPPER	110
BRAKES- HYDRAULIC	10	MAIN BROOM	112
CAB	16	MANUAL DUMP HOPPER	114
CAB PRESSURIZER	18	OVERHEAD GUARD	116
CATALYTIC CONVERTER	20	POWER STEERING	118
CLOGGED FILTER INDICATOR	22	RADIATOR - KUBOTA	120
CURB BROOM GUARD	24	RADIATOR - PERKINS	122
DIRECTIONAL CONTROL	26	REMOTE WET-SWEEP BYPASS	124
EDGE SCRUB	28	SAFETY ARM ASSEMBLY	126
ENGINE - FORD	36	SCRUBHEAD LIFT AND SOLUTION DELIVERY	128
ENGINE - FORD (SERVICE PARTS)	44	SIDE BROOM	132
ENGINE - KUBOTA 3 CYL	50	SIDE SCRUB BRUSH	134
ENGINE - KUBOTA 4 CYL	54	SOLUTION AND RECOVERY TANK LEVEL IND	136
ENGINE - PERKINS	58	SOLUTION SYSTEM - EXTENDED	138
ENGINE COVER	64	SOLUTION TANK - FULL SIZE	140
EXHAUST - KUBOTA	66	SOLUTION TANK - HIGH CAPACITY	142
EXHAUST - PERKINS	68	SOLUTION TANK - MID SIZE	144
FRAME ASSY	70	SOLUTION TANK - PLASTIC	146
FRONT BUMPER	74	SQUEEGEE	148
FUEL SYSTEM	76	SQUEEGEE LIFT	150
GRAMMER SEAT	78	SQUEEGEE SWITCH BOX	152
HEATER/DEFROSTER	80	SQUEEGEE WAND	154
HIGH DUMP ARM ASSEMBLY	82	STEERING ASSEMBLY	156
HIGH DUMP HOPPER	84	STEERING FORK & DRIVE TIRE	158
HOPPER FIRE INDICATOR	86	TIRE ASSY - MICHELIN	160
HOPPER SHUTOFF	88	VACUUM WAND	162
HYDRAULIC HOSES - HIGH DUMP	90	VACUUMIZED CURB BROOM	164
HYDRAULIC HOSES - LOW DUMP	92	WATER RECYCLING SYSTEM	168
HYDRAULIC HOSES - TSS/90 HD HC	94	WATER RECYCLING SYSTEM (REVISED)	170
HYDRAULIC RESERVOIR	96	WINDSHIELD WIPER	174
HYDRAULIC VALVE	98	EXCEPTION PARTS LIST (FOR 82 PLASTIC TANKS)	176
IMPELLER - HYDRAULIC	100		

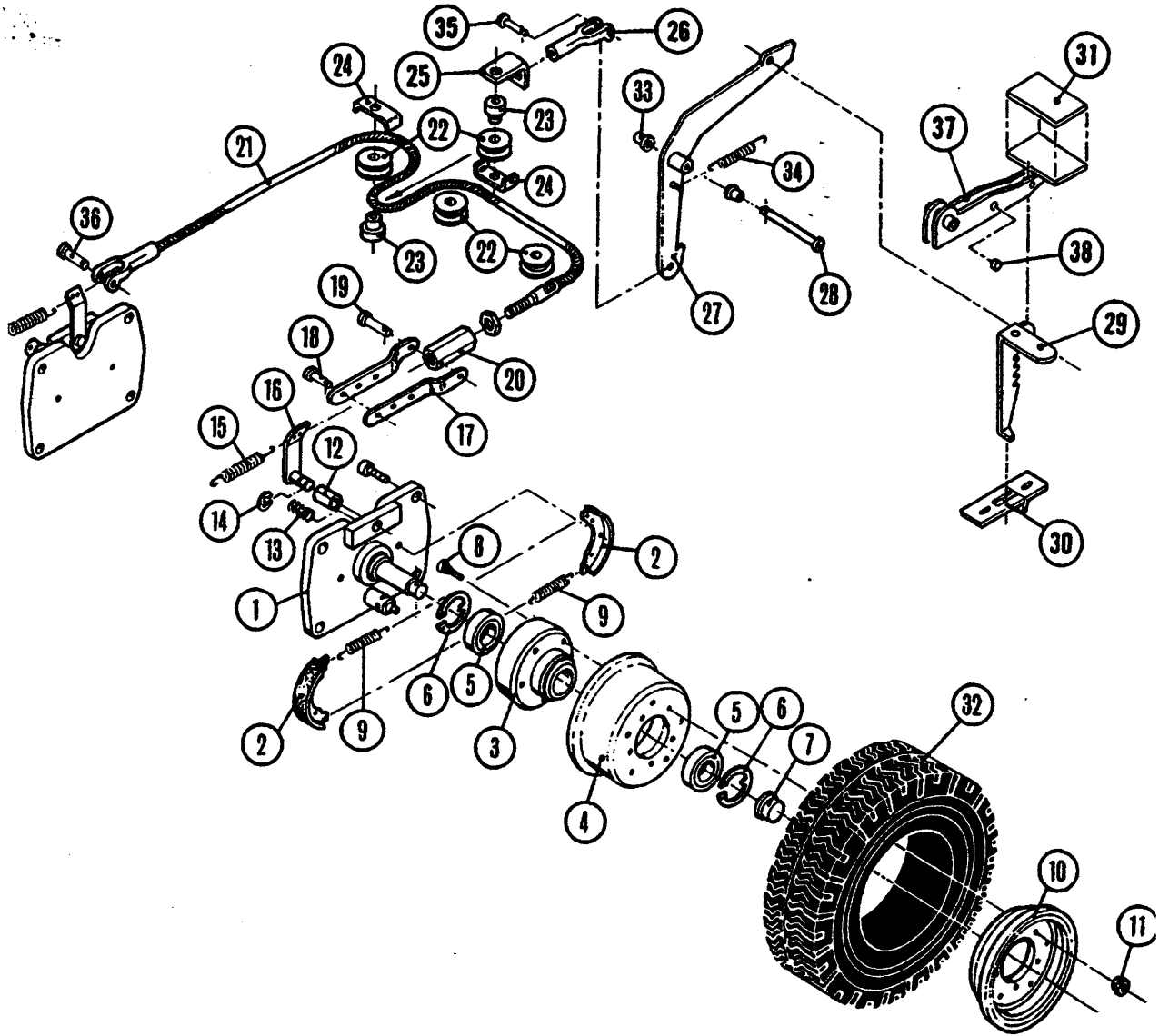
AIR CLEANER - KUBOTA



AIR CLEANER - KUBOTA


REF#	90 SER	80 SER	DESCRIPTION	QUANTITY
1	300336		CLAMP, HOSE, 2 1/2"	
2	303386		ADAPTER, 90 DEG. ELBOW, RUBBER	
3	303076		TUBE, W.D. MANIFOLD INTAKE	
4	303385		ADAPTER, 90 DEG. ELBOW, RUBBER	
5	303127		TUBE ASSEMBLY, AIR CLEANER	
	305507		TUBE ASSEMBLY, AIR CLEANER	
6	300396		ADAPTER, 90 DEG. ELBOW, RUBBER	
7	302786		TUBE, AIR CLEANER INTAKE	
8	300395		AIR CLEANER, DONALDSON	
	303031		AIR CLEANER, HEAVY DUTY	
9	300459		BAND, MOUNTING, AIR CLEANER	
10	304256		PLATE, AIR CLEANER MOUNT (HD)	
	305509		MOUNT, AIR CLEANER, KUBOTA (LD)	
11	300526		BUMPER, RUBBER	
12	303638		TUBE, AIR CLEANER (HD)	
	302787		TUBE ASSEMBLY, ENGINE VENT	

AXLE, BRAKES, AND WHEELS

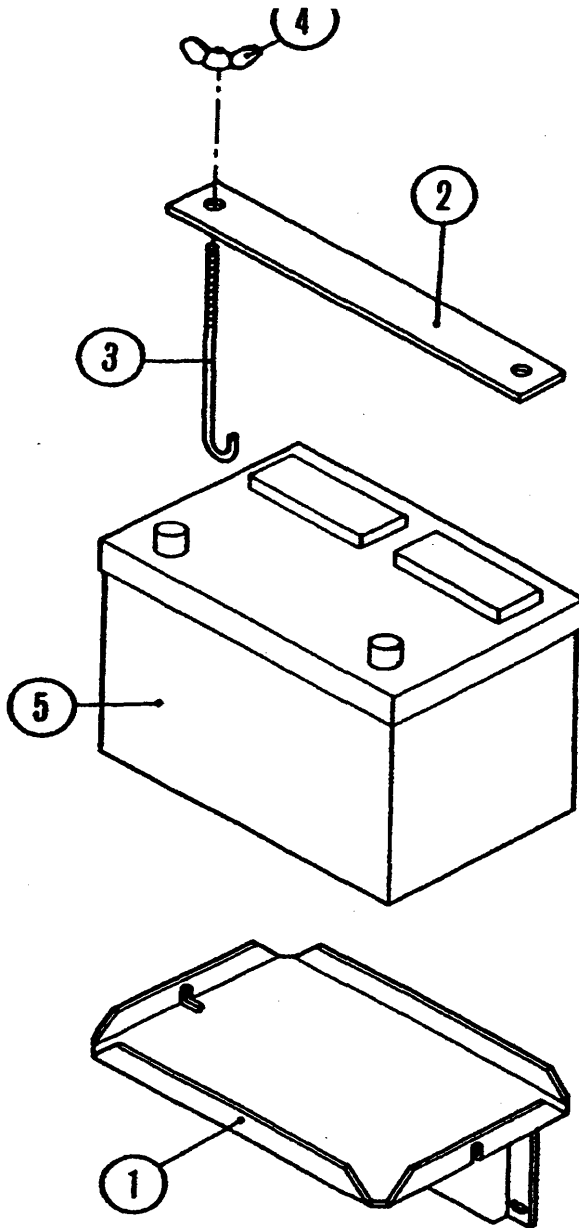




### AXLE, BRAKES, AND WHEELS

REF#	90 SER	80 SER	DESCRIPTION	QUANTITY
1	300852		AXLE ASSEMBLY, FRONT	
2	300523		SHOE, WITH LINING, BRAKE	
3	300787		HUB, FRONT WHEEL	
4	300211		RIM, FRONT WHEEL	
5	300467		BEARING, BALL, 2.44 x 1.18 I.D.	
6	300473		RING, RETAINER INTERNAL	
7	300369		CAP, HUB	
8	300415		STUD, WHEEL HUB	
9	301519		SPRING, EXTENSION BRAKE SHOE	
10	300408		RIM, OUTER	
11	300411		NUT, WHEEL LUG	
12	300410		BUSHING, 1.00 O.D. x .87 I.D.	
13	301518		SPRING, COMPRESSION BRAKE SHOE	
14	300484		RING, RETAINER EXTENSION, .87	
15	301517		SPRING, EXTENSION BRAKE LEVER	
16	300870		LEVER ASSEMBLY, BRAKE	
17	300203		BAR, CABLE	
18	400118		PIN, CLEVIS, 5/16 x .88	
19	400185		PIN, CLEVIS, 5/16 x 1.25	
20	300202		BAR, CABLE ADJUSTMENT	
21	300412	300486	CABLE, BRAKE	
22	300367		PULLEY, BRAKE	
23	300035		SPACER, BRAKE PULLEY	
24	300209		RETAINER, CABLE	
25	300955		BRACKET, BRAKE PULLEY	
26	300462		CLEVIS, CABLECRAFT AC-218 (CORRECT# 3301447)	
27	300132	305333	ARM ASSEMBLY, BRAKE	
28	400115		PIN, CLEVIS 3/8 x 3.00	
29	303718		LOCK ASSEMBLY, BRAKE PEDAL	
30	300058		LOCK ASSEMBLY, BRAKE 	
31	300413		PAD, BRAKE PEDAL	
32	300370		TIRE (SOLID)	
33	300414		BUSHING, PLASTIC MAIN BROOM	
34	301522		SPRING, EXTENSION BRAKE ARM	
35	400116		PIN, CLEVIS, 3/8 x 1.25	
36	400118		PIN, CLEVIS, 5/16 x .88	
37	303716		ARM ASSEMBLY, BRAKE PEDAL	
38	303723		ROLLER, BRAKE ARM	

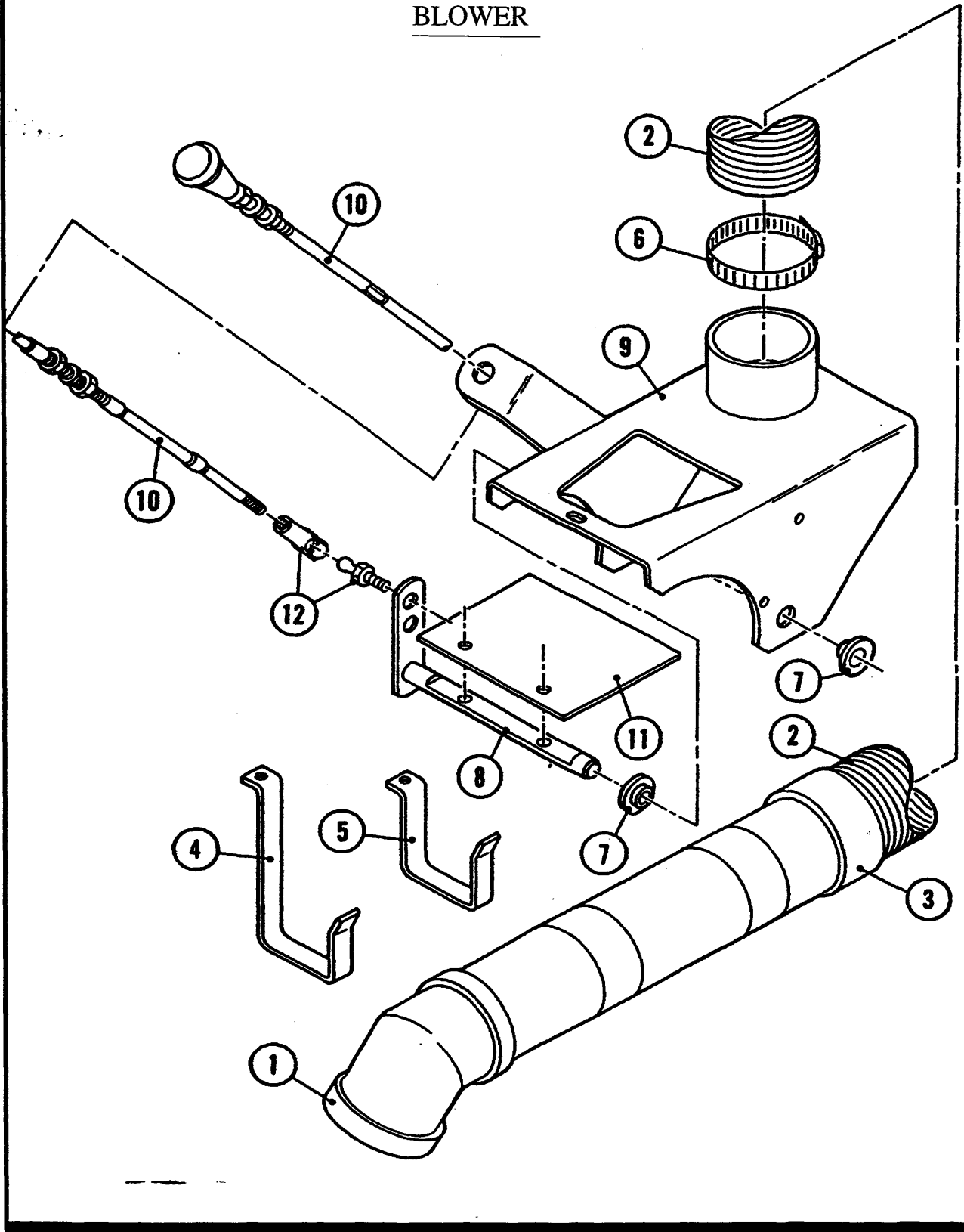
BATTERY



BATTERY

REF#	90 SER	80 SER	DESCRIPTION	QUANTITY
1	300210		MOUNT ASSEMBLY, BATTERY	
2	301076		HOLD DOWN, BATTERY	
3	301079		ROD, BATTERY TIE-DOWN	
4	400085		NUT, WING, 1/4 - 20	
5	300440		BATTERY, GAS ENGINE	
	300448		BATTERY, DIESEL ENGINE	
6	301384		CABLE ASSEMBLY, BATTERY, POSITIVE (NOT SHOWN)	
7	301385		CABLE ASSEMBLY, BATTERY, NEGATIVE (NOT SHOWN)	

BLOWER

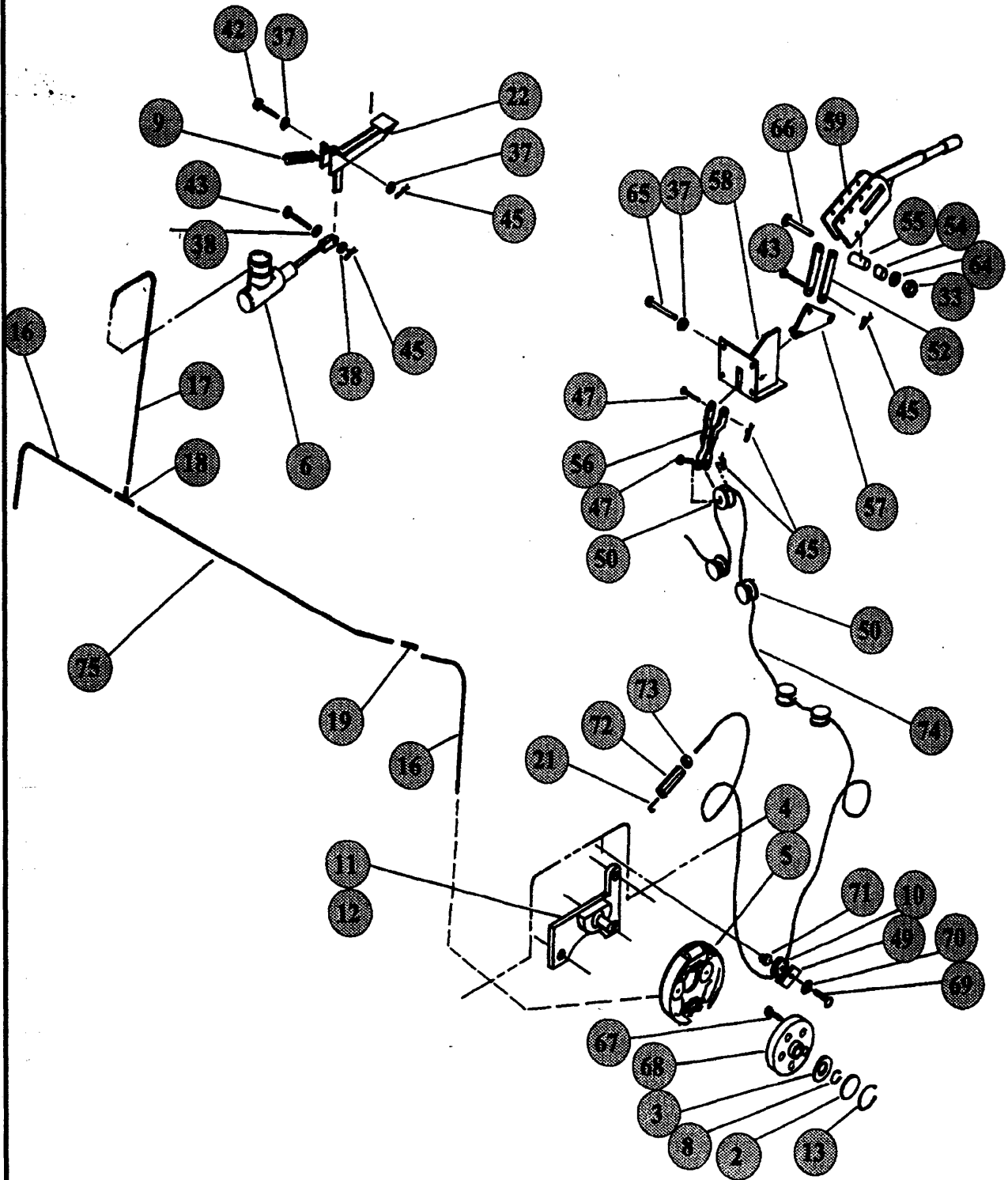




BLOWER

REF#	90 SER	80 SER	DESCRIPTION	QUANTITY
1	302337		WAND ASSEMBLY, BLOWER	
2	302329		HOSE, 2 1/2" I.D., BLOWER	
3	302203		CUFF, 2 1/2" I.D., BLOWER	
4	302530		BRACKET, HOSE RETAINER, LONG	
5	302529		BRACKET, HOSE RETAINER, SHORT	
6	300336		HOSE, CLAMP	
7	300414		BUSHING	
8	305768		ROD ASSEMBLY, DAMPER, BLOWER MANIFOLD	
9	305763		MANIFOLD ASSEMBLY, BLOWER	
10	301427		CABLE, IMPELLER STOP	
11	305770		DAMPER, BLOWER MANIFOLD	
12	301459		BALL JOINT, #10 - 32	

**BRAKES - HYDRAULIC**  
**INCLUDES HAND LEVER PARKING BRAKE**

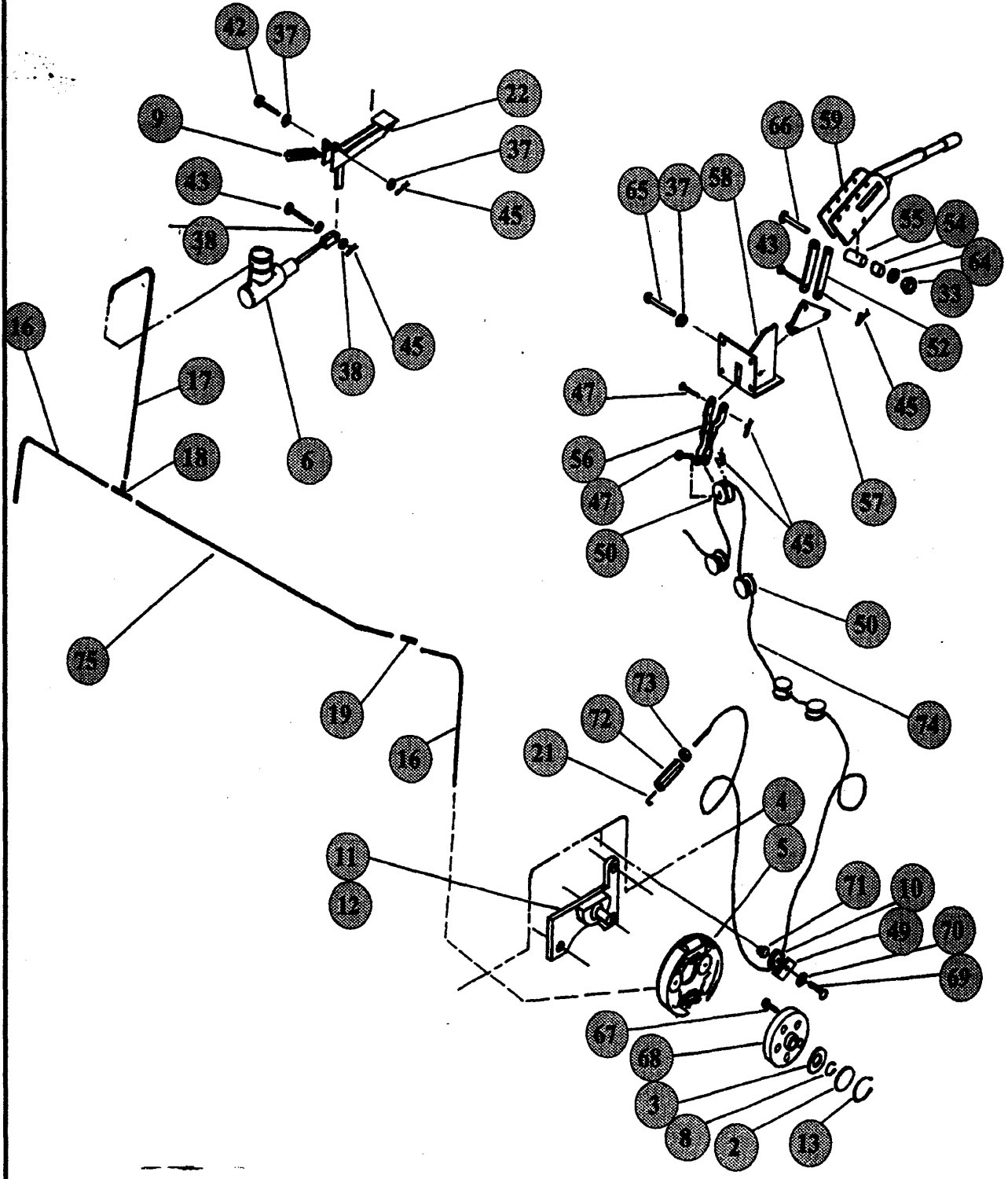




**BRAKES - HYDRAULIC (90 ONLY)**  
INCLUDES HAND LEVER PARKING BRAKE

REF#	PART#	DESCRIPTION	QUANTITY
	316396	Hydraulic Brakes Option	1
Above sub-assembly contains the following items.			
1	304164	SPRING - EXT 1.75 LG	1
2	304506	COVER - BRG TO HYD BRAKE PLTD	2
3	304509	SHIM - AXLE PLTD	2
4	304542	ASSY - HYD BRAKE RH	1
5	304543	ASSY - HYD BRAKE LH	1
6	304544	ASSY - MASTER CYL HYD BRAKE	1
7	304604	ASSY - TIRE & RIM SOLID SUB HYD	2
	300370	TIRE - SOLID	1
	300408	RIM - OUTER MACH & PNTD	1
	304545	RIM - INNER HYD BRAKE PNTD	1
	400015	SCR, FLT, 7/16-14 X 1.5, SOC ZP	5
	400066	NUT - HEX 7/16-14 ZP	5
	400099	WASHER - LOCK 7/16 SPLIT ZP	5
8	304633	ASSY - RET INT 2.625 DIA	2
9	304752	SPRING - PEDAL HYD BRAKE	1
10	304760	PULLEY - CABLE HYD BRAKE PNTD	4
11	305754	ASSY - FRONT AXLE COMP HYD RH PNTD	1
12	305756	ASSY - FRONT AXLE COMP HYD LH PNTD	1
13	305935	RING - RET EXT AXLE HYD BRAKE	2
14	306215	CABLE - PARK HYD BRAKE	1
15	306279	ASSY - BRAKE LINE MAIN	1
16	306305	ASSY - BRAKE LINE WHEEL	2
17	306306	ASSY - BRAKE LINE M. CYLINDER	1
18	306307	FTG - TEE HYD BRAKE	1
19	306308	FTG - COUPLING HYD BRAKE	1
20	306447	CONNECTOR - HYD BRAKE CABLE PLTD	2
21	306450	PIN - HYD BRAKE CABLE PLTD	2
22	306452	ASSY - HYD BRAKE PEDAL PNTD	1
23	306454	ASSY - HYD BRAKE MNT PNTD	1
24	306460	RETAINER - CABLE HYD BRAKE PLTD	4
25	306871	FLUID - BRAKE HYDRAULIC (DOT 3)	16 FL. OZ.
26	400006	SCREW - BUT 5/18-11 X 1.0, SOC	2
27	400010	SCREW - CAR 1/4-20 X .75 ZP	2
28	400011	SCREW - FLT 5/8-11 X 1.0 SOC ZP	2
29	400028	SCREW - HEX 3/8-16 X 1.5 ZP	1
30	400031	SCREW - HEX 3/8 -16 X 2.0 ZP	3
31	400068	NUT - HEX 3/8-16 ZP	3
32	400069	NUT - HEX 5/16-24 ZP	1
33	400070	NUT - HEX 5/16-18 ZP	3
34	400071	NUT - HEX 1/4-20 ZP	2
35	400079	NUT - HEX 3/8-16 ES ZP	1

**BRAKES - HYDRAULIC (Cont.)**  
**INCLUDES HAND LEVER PARKING BRAKE**

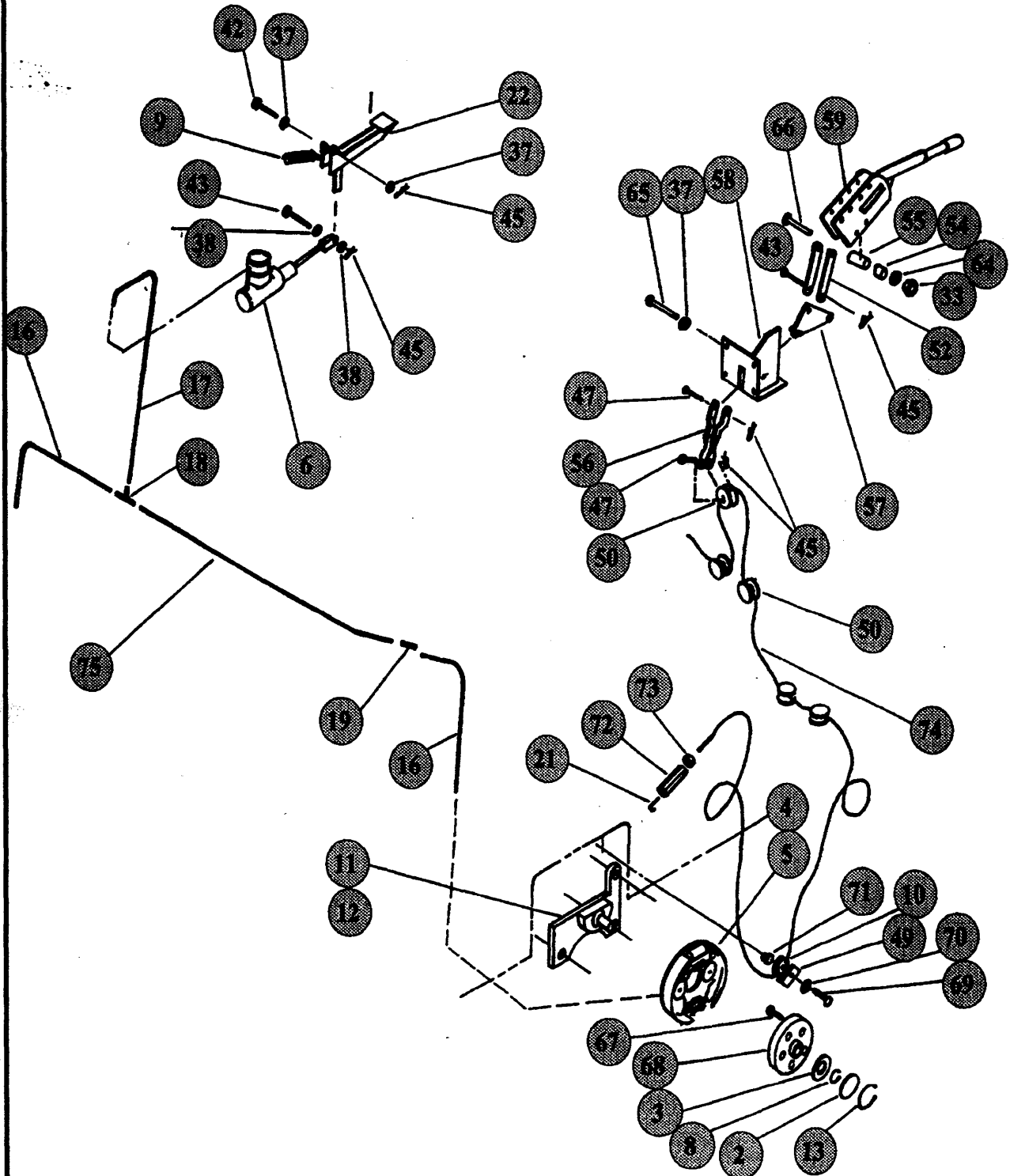




**BRAKES - HYDRAULIC (90 ONLY)**  
INCLUDES HAND LEVER PARKING BRAKE

REF#	PART#	DESCRIPTION	QUANTITY
36	400081	NUT - HEX 1/4-20 ES ZP	1
37	400087	WASHER - FLAT 3/8 STANDARD ZP	4
38	400088	WASHER - FLAT 5/16 STANDARD ZP	3
39	400089	WASHER - FLAT 1/4 STANDARD ZP	2
40	400101	WASHER - LOCK 3/8 SPLIT ZP	3
41	400103	WASHER - LOCK 1/4 SPLIT ZP	2
42	400115	PIN - CLEVIS 3/8 X 3.0 ZP	1
43	400118	PIN - CLEVIS 5/16 X 7/8 ZP	5
44	400123	PIN - COTTER - 3/32 X 1.5 ZP	2
45	400125	PIN - COTTER 3/8 RUE-RING	6
46	400149	SCREW - HEX 1/4-20 X 1.5 ZP	1
47	400185	PIN - CLEVIS 5/16 X 1-1/4 ZP	1
48	400376	PIN - CLEVIS 3/8 X 2-7/16 ZP	1
67	300415	STUD - WHEEL HUB	5
68	304508	HUB - HYD WHEEL BRAKE	1
69	400029	SCREW - HEX 3/8-16 X 1.25 ZP	1
70	400435	WASHER - LOCK 3/8 SPLIT ZP	1
71	300035	SPACER - BRAKE PULLEY PLTD	1
72	300202	BAR - CABLE ADJ MACH & PLTD	1
73	400180	NUT - HEX 1/4-28 ZP	1
74	304753	CABLE - PARK HYD BRAKE FS	1
75	306278	ASSY - BRAKE LINE MAIN FS	1

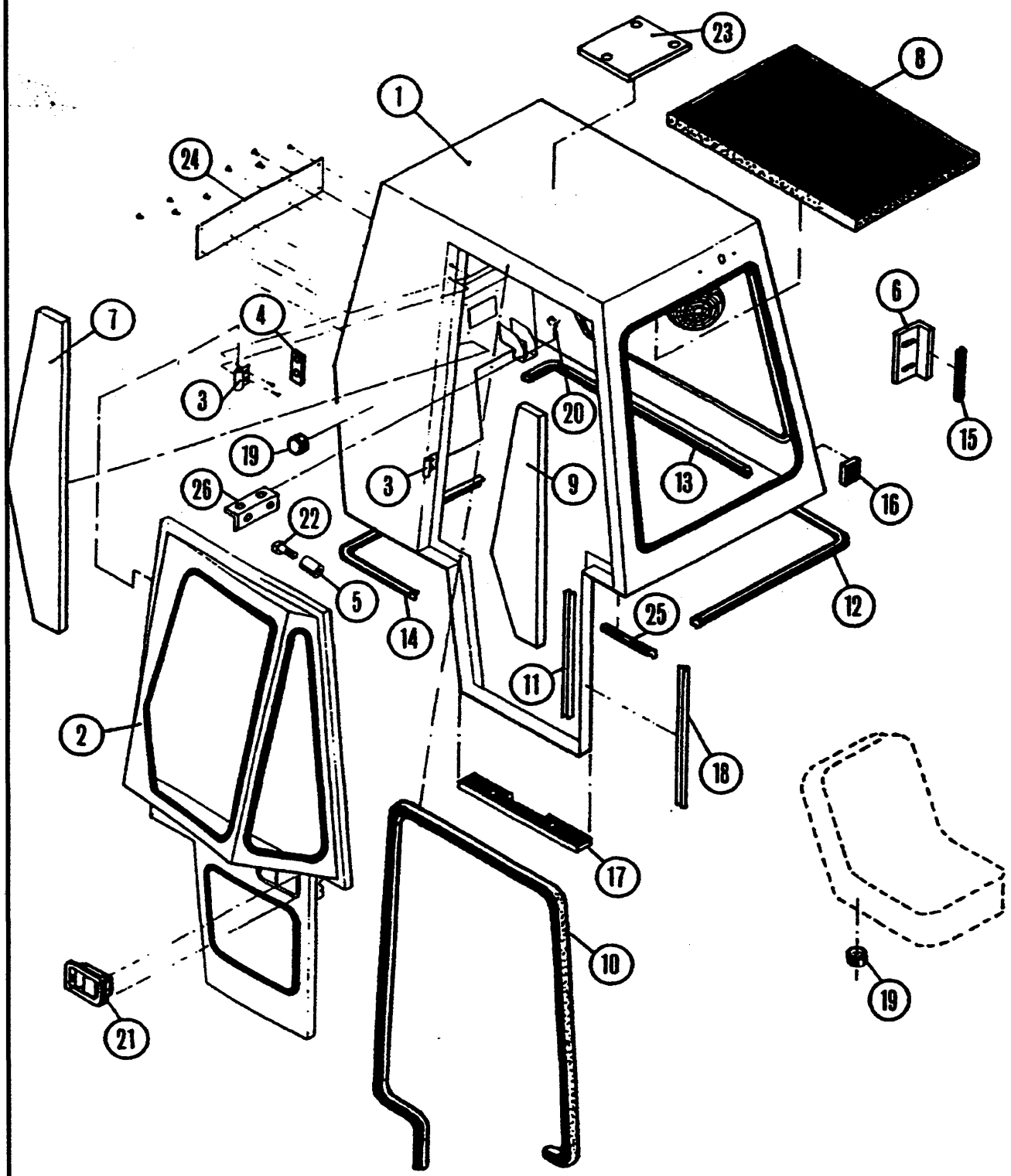
**BRAKES - HYDRAULIC**  
**INCLUDES HAND LEVER PARKING BRAKE**



**BRAKES - HYDRAULIC (90 ONLY)**  
**INCLUDES HAND LEVER PARKING BRAKE**

REF#	PART#	DESCRIPTION	QUANTITY
	319296	Hand Lever Parking Brake Option	1
Above sub-assembly contains the following items.			
31	400068	NUT - HEX 3/8-16 ZP	2
33	400070	NUT - HEX 5/16-18 ZP	6
37	400087	WASHER - FLAT 3/8 STANDARD ZP	2
40	400101	WASHER - LOCK 3/8 SPLIT ZP	2
43	400118	PIN - CLEVIS 5/16 X 7/8 ZP	2
45	400125	PIN - COTTER 3/8 RUE-RING	3
49	300209	RETAINER - CABLE PLTD	3
50	300367	PULLEY - BRAKE	3
51	300414	BUSHING - PLASTIC MAIN BROOM	2
52	303545	BAR - CONTROL HAND BRAKE PNTD	2
53	303551	SHIM - HAND BRAKE PLTD	2
54	303552	SLEEVE - HAND BRAKE PLTD	2
55	303553	SHIM - FRAME HAND BRAKE PLTD	2
56	303559	ASSY - ARM PIVOT HAND BRAKE PNTD	1
57	303628	ASSY - PIVOT PLT HAND BRAKE PNTD	1
58	306463	ASSY - HAND BRAKE MOUNT PNTD	1
59	306803	LEVER - HAND BRAKE MACHINED	1
60	400027	SCREW - HEX 3/8-16 X 1.75 ZP	2
61	400034	SCREW - HEX 5/16-18 X 1.25 ZP	1
62	400035	SCREW - 5/16-18 X 1.0 ZP	3
63	400038	SCREW - HEX 5/16-18 X 2.25 ZP	2
64	400102	WASHER - LOCK 5/16 SPLIT ZP	6
65	400347	PIN - CLEVIS 3/8 X 2-5/8 ZP	1

CAB



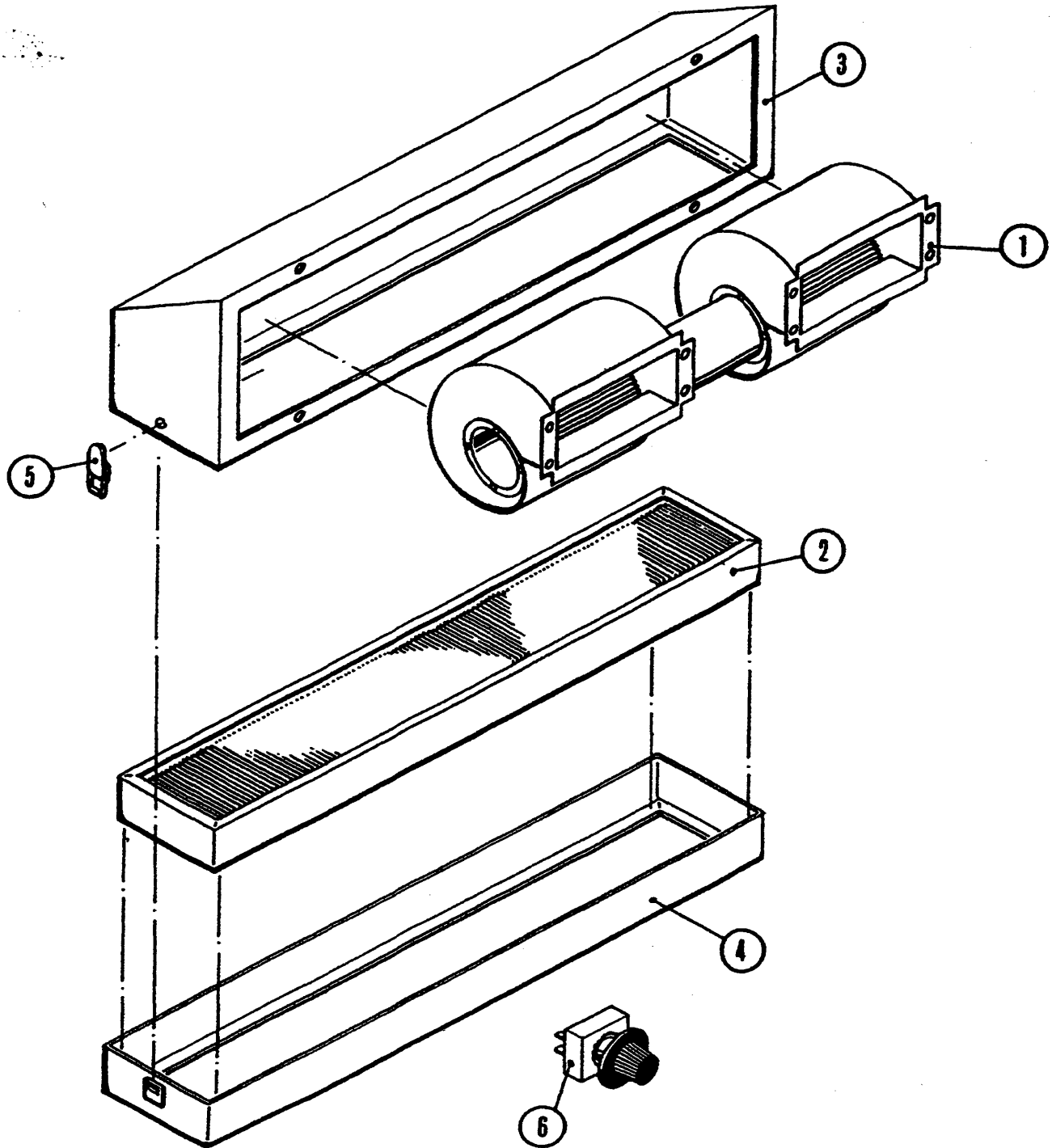




## CAB

REF#	90 SER	80 SER	DESCRIPTION	QUANTITY
1	302916		FRAME ASSEMBLY, CAB	
2	302908		DOOR ASSEMBLY, CAB	
3	302877		HINGE ASSEMBLY	
4	302875		SPACER, CAB	
5	302857		STRIKER, LATCH, CAB	
6	302882		PLATE, CAB FILLER	
7	302895		INSULATION, CAB DOOR	
8	302888		INSULATION, CAB ROOF	
9	302887		INSULATION, CAB DOOR	
10	302919		SEAL, CAB DOOR	
11	302922		SEAL, CAB DOOR POST	
12	302923		SEAL, CAB, BOTTOM FRONT	
13	302924		SEAL, CAB, BOTTOM LEFT HAND	
14	302925		SEAL, CAB BOTTOM REAR	
15	302926		SEAL, CAB, FILLER PLATE	
16	302928		GASKET, FRAME, SHORT	
17	302929		SEAL, CAB, FOOT PLATE	
18	302927		GASKET, CAB FRAME	
19	302482		BUMPER, SEAT MOUNT	
20	300465		MOUNT, ISOLATION	
21	302301		LATCH, CAB	
22	302932		BOLT, CAB LATCH	
23	303152		PLATE, CAB LIGHT COVER	
24	303153		PLATE, CAB PRESSURIZER	
25	303141		GASKET, CAB FRAME LINTEL	
26	303293		BRACKET, SUP SUB SEAT MOUNT	

CAB PRESSURIZER

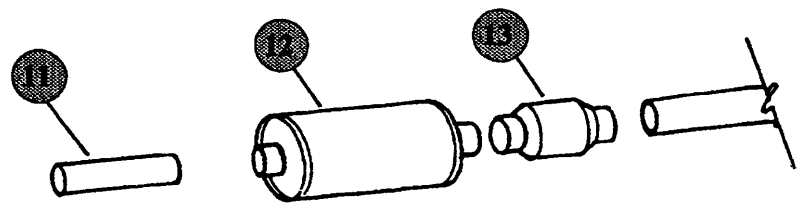
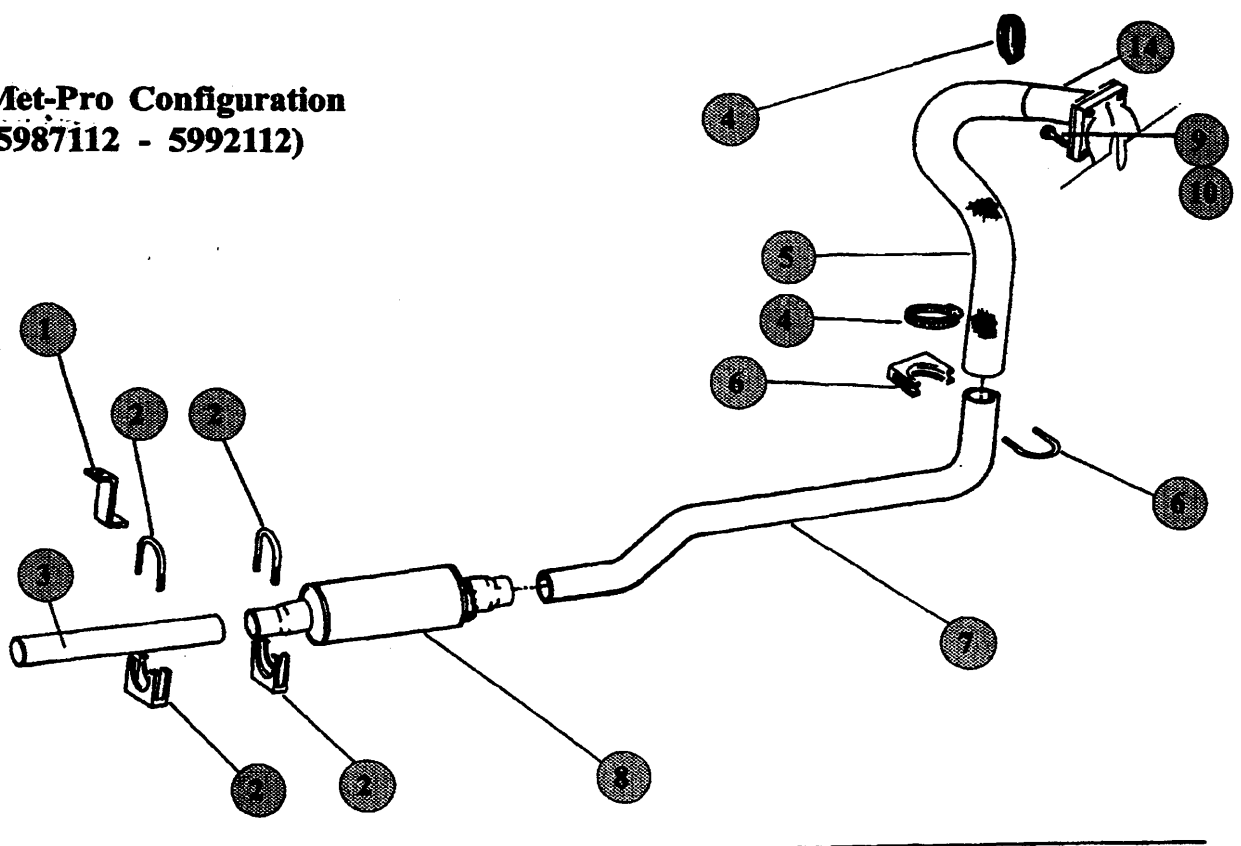


**CAB PRESSURIZER**

REF#	90 SER	80 SER	DESCRIPTION	QUANTITY
1	302934		PRESSURIZER, CAB	
2	302936		FILTER, PRESSURIZER	
3	303509		HOUSING ASSEMBLY, CAB PRESSURIZER	
4	303512		RETAINER ASSEMBLY, FILTER, CAB PRESSURIZER	
5	303513		LATCH, CAB PRESSURIZER	
6	303072		SWITCH, 3-SPEED	

CATALYTIC CONVERTER

**Met-Pro Configuration**  
(5987112 - 5992112)

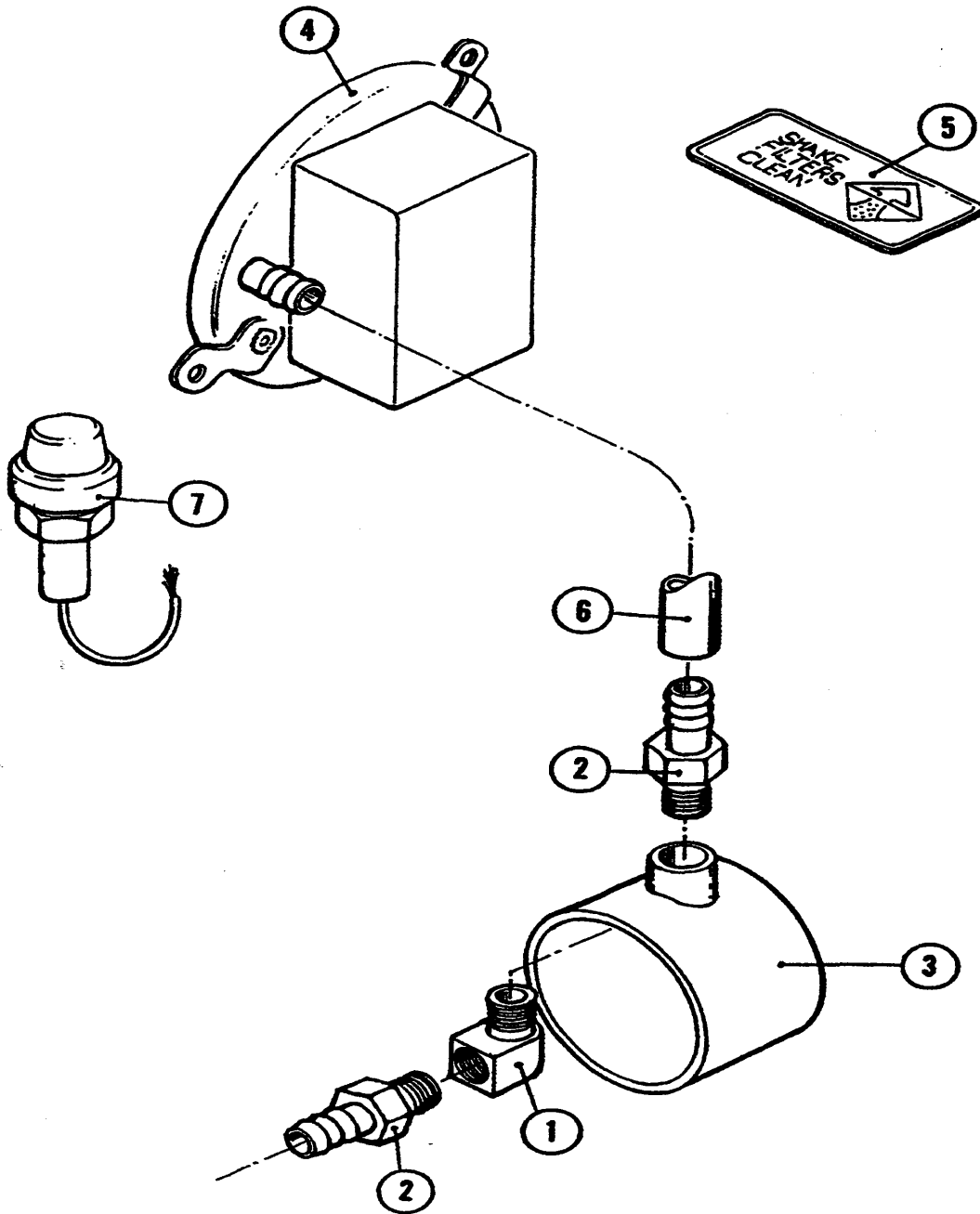


**Engelhard Configuration**  
(5993112 - 6000112)

**CATALYTIC CONVERTER (90 ONLY)**

REF#	PART#	DESCRIPTION	QUANTITY
Met-Pro converter is installed as follows:			
1	300944	SUPPORT - MUFFLER PLTD	1
2	301640	CLAMP - EXHAUST 1-3/4	2
3	304762	TUBE - EXHAUST TAILPIPE PNTD SC HC	1
4	300336	CLAMP - HOSE 2.5 NOM SS	2
5	312281	EXHAUST - WRAP MANIFOLD TUBE	1
6	303118	CLAMP - EXHAUST 1-5/8	1
7	301071	TUBE - EXHAUST INT FORD	1
8	303187	CATALYTIC CONVERTER FOR DIESEL (MET)	1
9	400614	WASHER - LOCK 14MM	4
10	400613	SCREW - 14MM X 1.5 X 25MM	4
Engelhard converter is installed as follows:			
11	309049	TUBE - EXHAUST TAILPIPE 82	1
12	300539	MUFFLER	1
13	316419	CATALYTIC CONVERTER DSL ENGELHARD	1
14	313281	ASSY - MANIFOLD TUBE PERKINS NJT	1

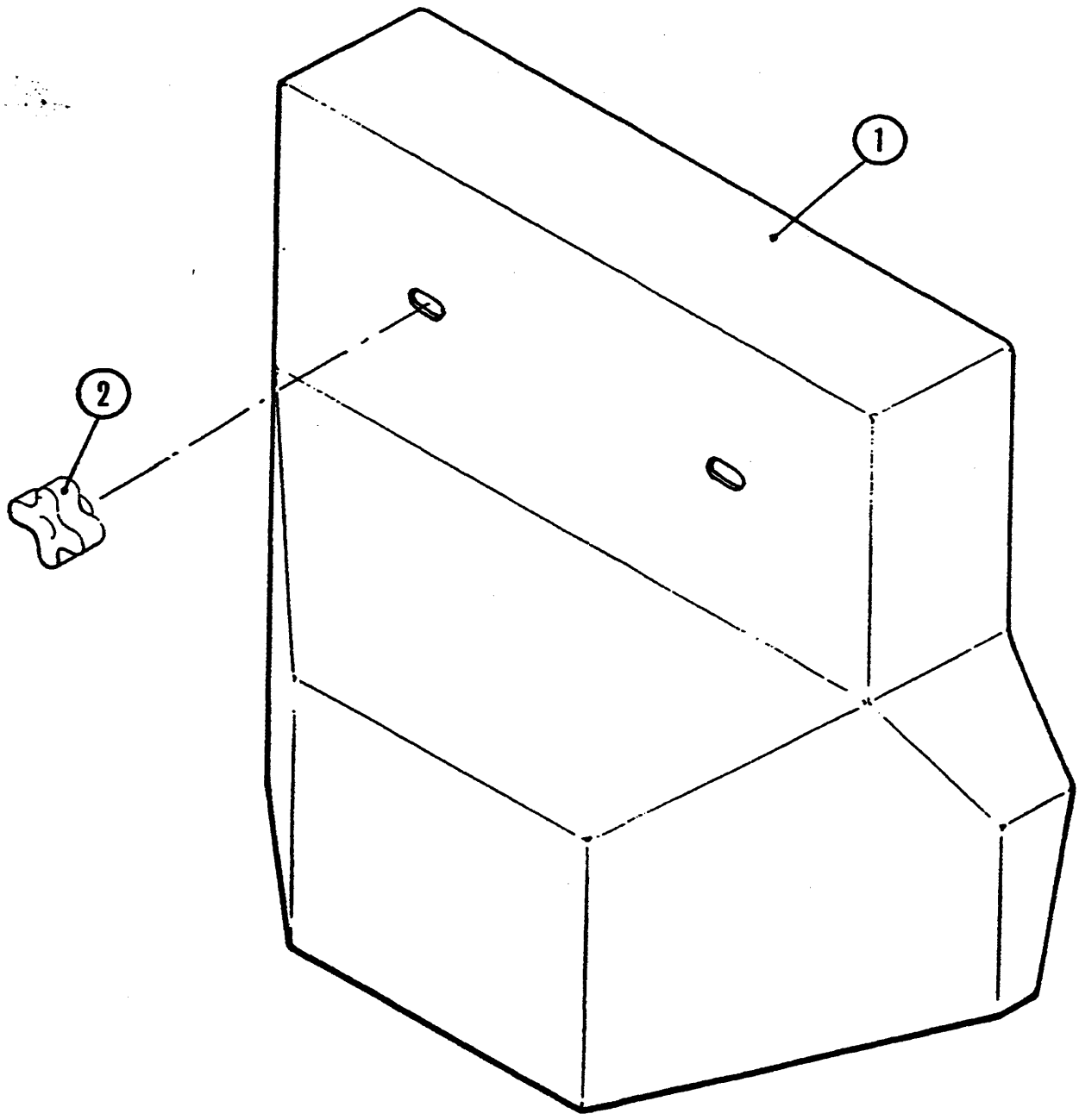
CLOGGED FILTER INDICATOR



CLOGGED FILTER INDICATOR

REF#	90 SER	80 SER	DESCRIPTION	QUANTITY
1	400260		FITTING, 90 DEG. 1/4 NPT x 1/4 NPT	
2	400261		FITTING, HOSE BARB 3/8 NPT x 5/16 HOSE	
3	303515		MOUNT ASSEMBLY, CLOGGED FILTER	
4	303327		VACUUM, SWITCH	
5	302518		DECAL, FILTER (DIRTY)	
6	303516		HOSE, CLOGGED FILTER	
7	301553		LIGHT, RTR	

CURB BROOM GUARD



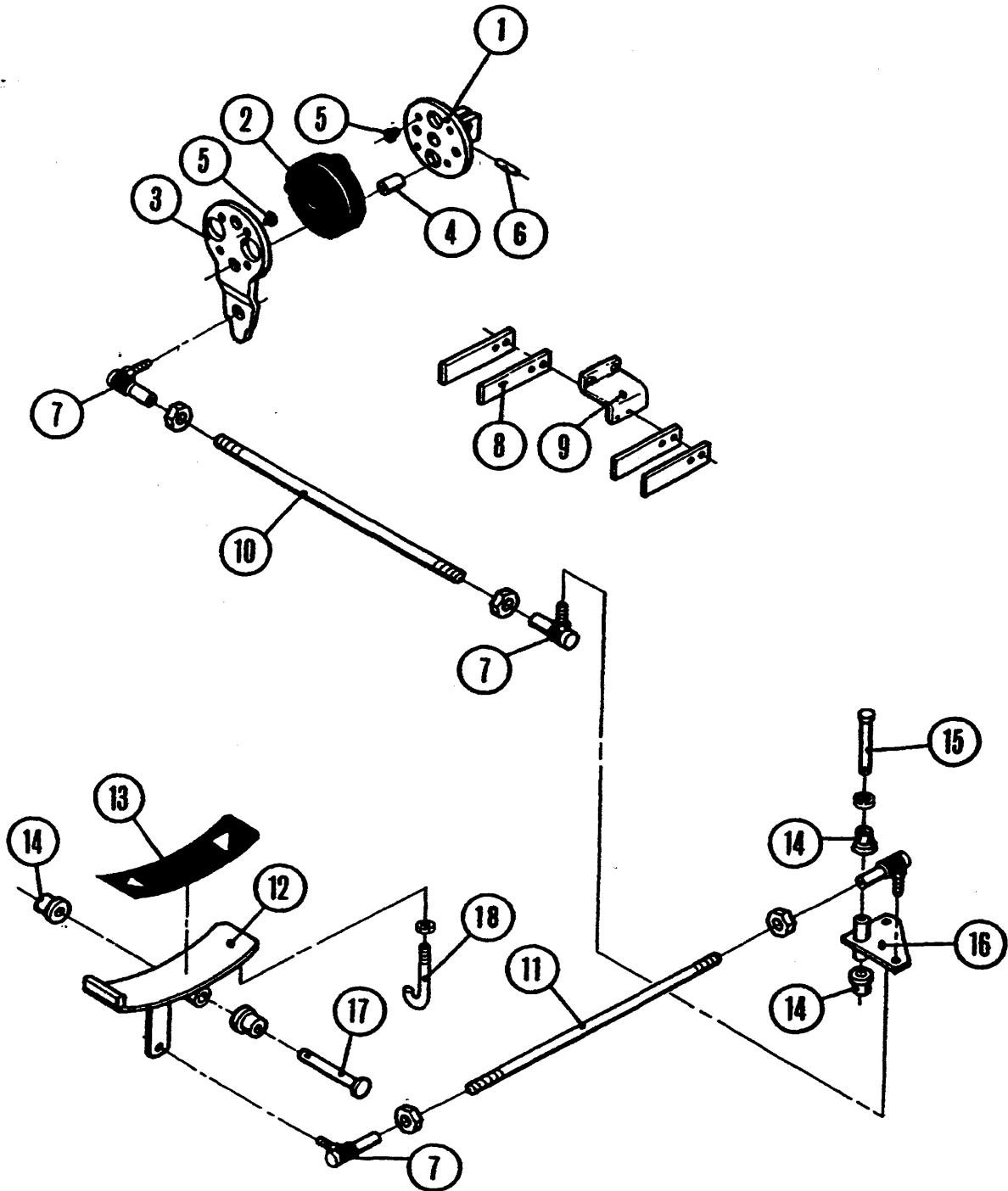




**CURB BROOM GUARD**

REF#	90 SER	80 SER	DESCRIPTION	QUANTITY
1	303119		GUARD ASSEMBLY, HEAVY DUTY CURB BROOM	
2	303179		KNOB, ALUMINUM HAND	

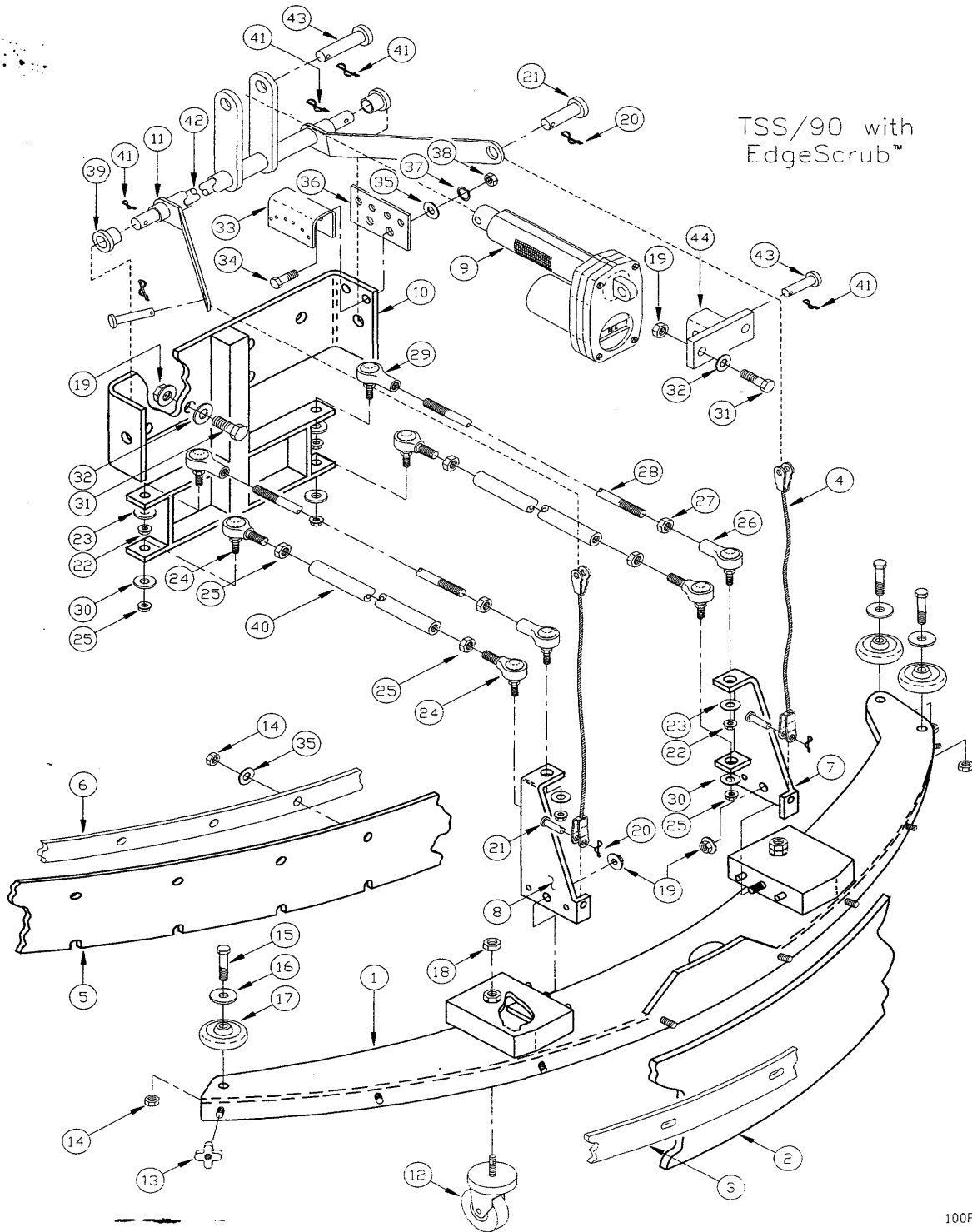
DIRECTIONAL CONTROL



DIRECTIONAL CONTROL

REF#	90 SER	80 SER	DESCRIPTION	QUANTITY
1	301544		DISC ASSEMBLY, FWD/REV	
2	301507		RING, COUPLING	
3	301542		ARM, FWD/REV	
4	300339		SLEEVE, FWD/REV	
5	300526		BUMPER, RUBBER	
6	400127		PIN, ROLL, 1/4 x 1.50	
7	300461		JOINT ASSEMBLY, BALL, 3/8	
8	300543		SPRING, RETURN DIRECTIONAL CONTROL	
9	**		BRACKET, ADJUSTMENT, FWD/REV	
10	304916	302357	ROD, FWD/REV (TOYOTA)	
	300030		ROD, FWD/REV (FORD)	
	302793	302357	ROD, FWD/REV (DIESEL)	
11	300029		ROD, FWD/REV	
12	300737		PEDAL ASSEMBLY, FWD/REV	
13	300544		PAD, FOOT PEDAL	
14	300414		BUSHING, PLASTIC	
15	400115		PIN, CLEVIS, 3/8 x 3.00	
16	300053	305312	ARM ASSEMBLY, INTERMEDIATE	
17	400114		PIN, CLEVIS, 3/8 x 4.00	
18	303818		BAR	

### EDGE SCRUB™

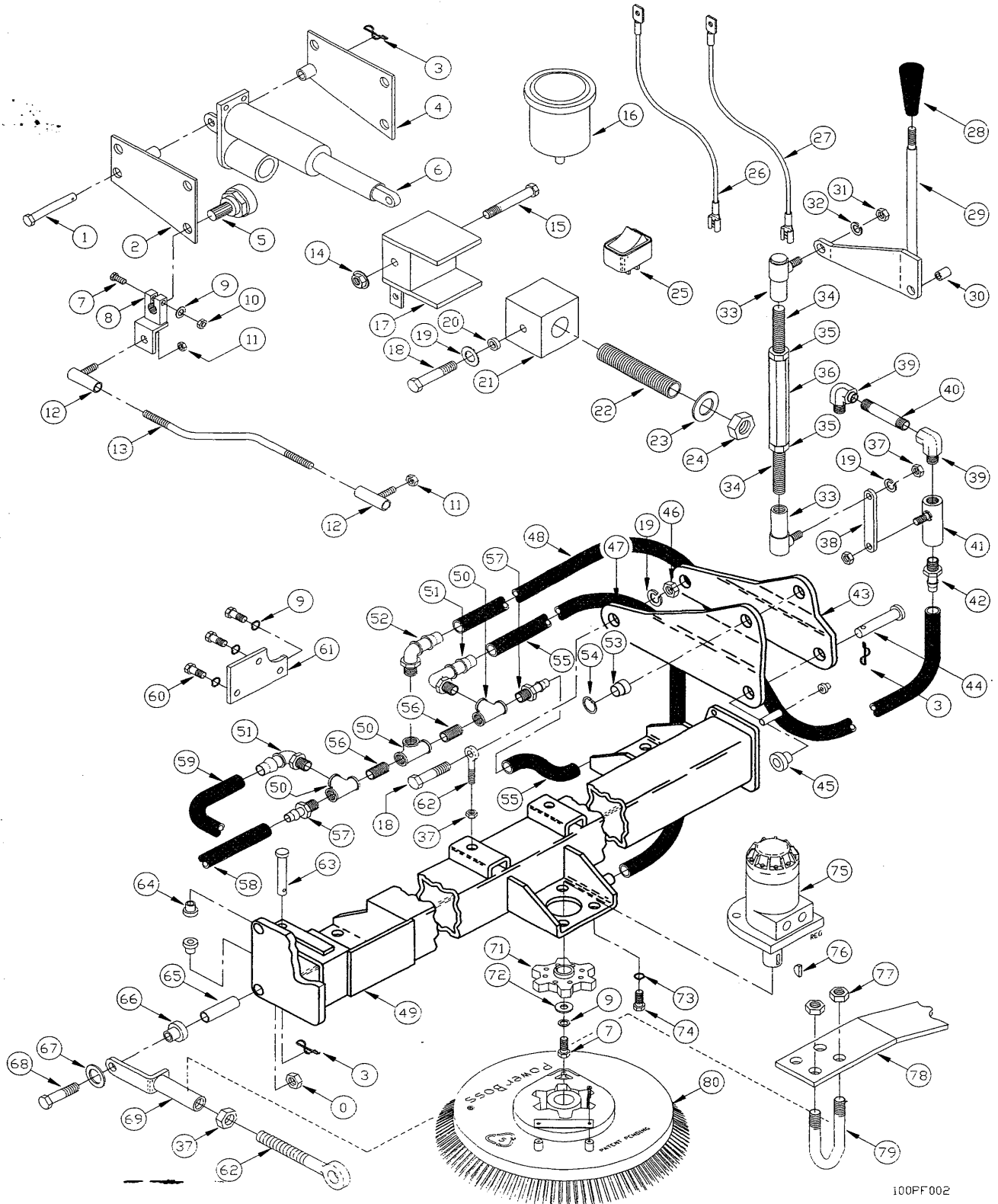


100PF001

## EDGE SCRUB™

REF#	PART#	DESCRIPTION	QUANTITY
1	315343	WELD - SQUEEGEE FRAME FULL	1
2	315734	SQUEEGEE - REAR EDGE SCRUB	1
3	315335	STRAP - REAR SQUEEGEE ES	1
4	315704	CABLE - SQUEEGEE LIFT	2
5	315733	SQUEEGEE - FRONT EDGE SCRUB	1
6	315324	STRAP - FRONT SQUEEGEE	1
7	315790	WELD - BRKT SQUEEGEE LINKAGE RH	1
8	315791	WELD - BRKT SQUEEGEE LINKAGE LH	1
9	302775	ACTUATOR - POWER SCRUB HEAD LIFT	1
10	315609	WELD - SQUEEGEE ARM	1
11	315630	WELD - SQUEEGEE LIFT	1
12	300434	CASTER - SQUEEGEE SPECIAL	2
13	302339	KNOB - ALUM 5/16 - 18 FMTHD	8
14	400080	NUT - HEX 5/16 - 18 ES ZP	14
15	400038	SCR - HEX 5/16 - 18 X 2.25 ZP	3
16	400233	WASHER - FENDER 5/16 1.00 OD	3
17	308158	WHEEL - ROLLER 3" OD SQUEEGEE	3
18	400192	NUT - HEX JAM 5/8 - 11 ZP	2
19	400395	NUT - FLANGE LOCK 1/2 - 13	9
20	400125	PIN - COTTER 3/8 RUE - RING	4
21	400118	PIN - CLEVIS 5/16 X 7/8 ZP	4
22	400064	NUT - HEX 1/2 - 20 ZP	4
23	400086	WASHER - FLAT 1/2 STANDARD ZP	4
24	315756	ROD END - MALE W/STUD RH	4
25	400074	NUT - HEX JAM 5/8 - 18 ZP	4
26	315755	ROD END - FEMALE W/STUD RH	2
27	400449	NUT - HEX JAM 1/2 - 20 ZP	2
28	315606	WELD - SQUEEGEE UPPER LINK	2
29	315754	ROD END - FEMALE W/STUD L/H	2
30	400097	WASHER - LOCK 5/8 SPLIT ZP	4
31	400023	SCR - HEX, 1/2 - 13 X 1.00 ZP	7
32	400387	WASHER - CONICAL SPRING 1/2	7
33	315746	MNT - LIMIT SWITCH SQU LIFT	1
34	400035	SCR - HEX 5/16 -18 X 1.00 ZP	2
35	400088	WASHER - FLAT 5/16 STANDARD ZP	2
36	315747	MNT - CONTACTOR SQUEEGEE LIFT	1
37	400102	WASHER - 5/16 SPLIT LOCK	2
38	400070	NUT - HEX 5/16 - 18 ZP	2
39	300432	BUSHING - FL - 52 - 4	2
40	315601	BAR - LOWER SQUEEGEE LINKAGE	2
41	400124	PIN - COTTER 5/8 RUE - RING	4
42	315631	SHAFT - SQUEEGEE LIFT	1
43	308225	PIN - CLEVIS 1/2 X 2.00 ZP	2
44	315634	WELD - ACTUATOR MOUNT	1

EDGE SCRUB™ (CONT.)



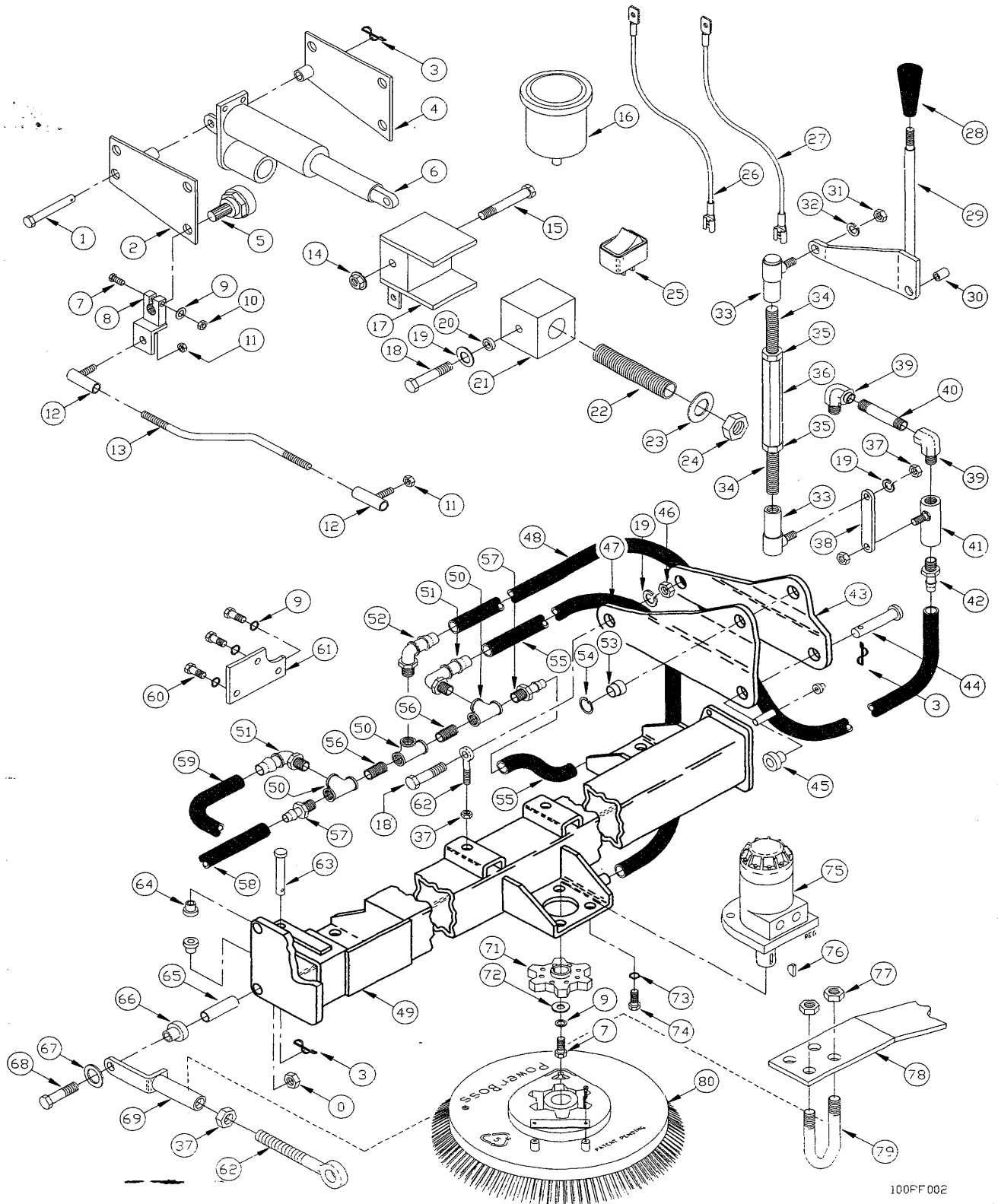
100PF002



## EDGE SCRUB™ (CONT.)

REF#	PART#	DESCRIPTION	QUANTITY
1	400302	PIN - CLEVIS 1/2 X 5.00 ZP	
2	303544	ASSY - MOUNT ELEC CYL HS RH PNTD	
3	400124	PIN - COTTER 5/8 RUE - RING	
4	303543	ASSY - MOUNT ELEC CYL HS LH PNTD	
5	303465	ASSY - POTENTIOMETER ELEC SC HD	
6	302775	ACTUATOR - POWER SCRUB HEAD LIFT	
7	400041	SCR - HEX, 1/4 - 20 X 0.88 ZP	
8	303299	WELDMENT - GAGE LIFT ARM PLTD	
9	400103	WASHER - LOCK 1/4 SPLIT ZP	
10	400071	NUT - HEX 1/4 - 20 ZP	
11	400373	NUT - HEX JAM 1/4 - 28 ES ZP	
12	301199	BALL JOINT - 1/4 - 28	
13	303296	LINKAGE - SCRUB HEAD GAGE PLTD	
14	400317	NUT - HEX JAM 1/2 - 13 ES ZP	
15	400020	SCR - HEX, 1/2 - 13 X 2.00 ZP	
16	303258	GAGE - DOWNPRESSURE SC HEAD	
17	303309	ASSY - SCRUBHEAD PIN PNTD	
18	400017	SCR - HEX 5/8 - 11 X 1.75 ZP	
19	400097	WASHER - LOCK 5/8 SPLIT ZP	
20	303224	SPACER - ELEC SH LIFT PLTD	
21	303227	BLOCK - PRESSURE PLTD	
22	303218	SPRING - COMPRESSION 1.00 DIA	
23	303225	RETAINER - ELEC S-HEAD LIFT PLTD	
24	400188	NUT - HEX JAM 1/2 - 20 ES	
25	303307	SWITCH - 2 PDT	
26	303467	HARNESS - IGNITION	
27	303308	HARNESS - ELEC SCRUBHD LT	
28	300558	KNOB - TAPERED #145 BLACK	
29	309909	WELDMENT - SOLUTION LEVER HI CAP	
30	302420	SPACER - LEVER SOL VALVE PLTD	
31	400070	NUT - HEX 5/16 - 18 ZP	
32	400102	WASHER - LOCK 5/16 SPLIT ZP	
33	300460	BALL JOINT - 5/16	
34	301398	ROD - SOL VALVE	
35	400069	NUT - HEX 5/16 - 24 ZP	
36	303502	STAND/OFF THREADED ADJUST LINK	
37	400192	NUT - HEX JAM 5/8 - 11 ZP	
38	300027	ARM - SOL VALVE PLTD	
39	400238	FTG - 90 EL 3/4 MPT - 3/4 FPT	
40	400410	FTG - NIPPLE BRASS 3/4 X 5.00	
41	300330	VALVE - 2 WAY SOLUTION	
42	300802	FTG - ADAPTOR 3/4 MPT	
43	303238	ASSY - LIFT ARM SCRUB HD LH PNTD	
44	400111	PIN - CLEVIS 5/8 X 6.00 ZP	

EDGE SCRUB™ (CONT.)



100PF002

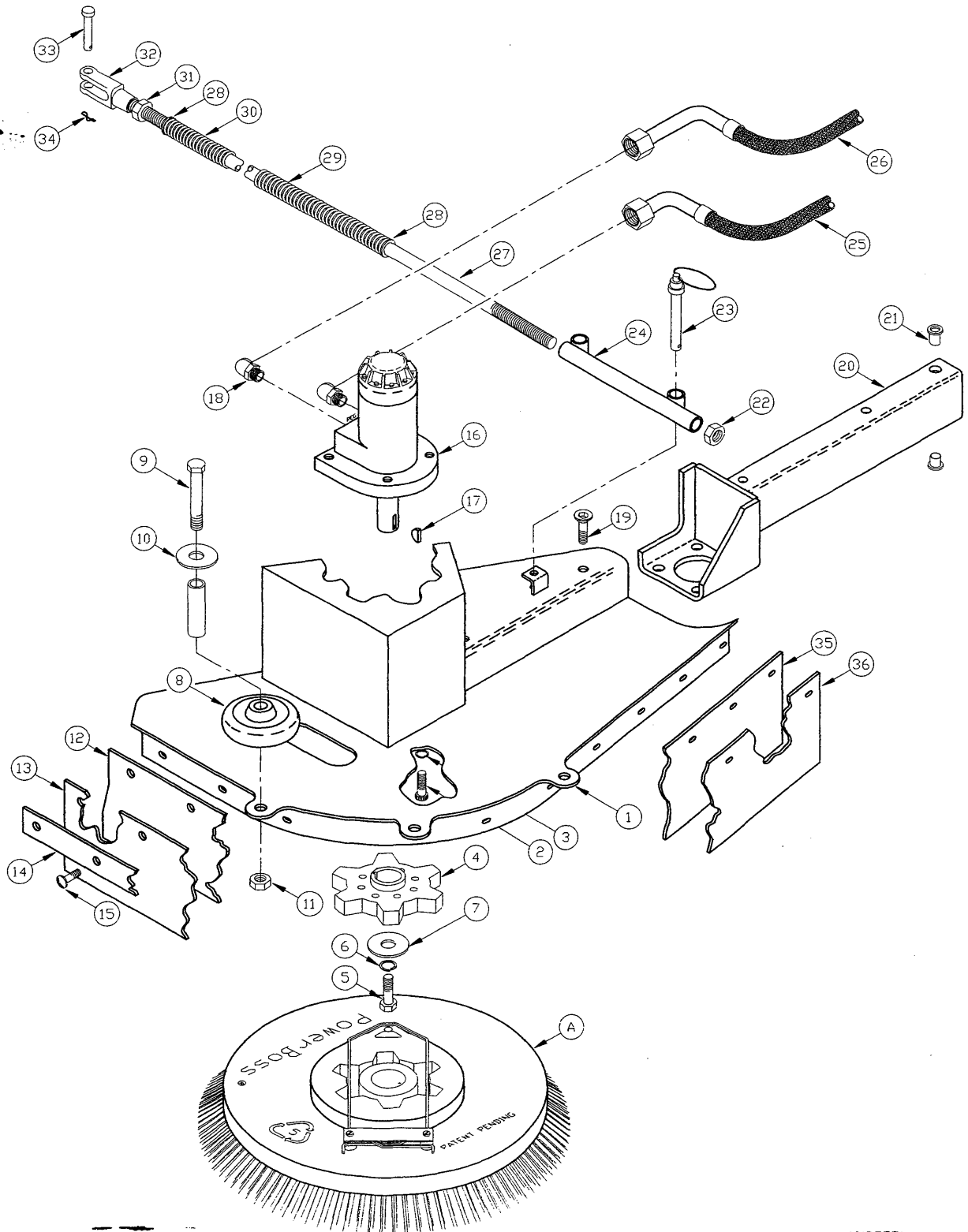




## EDGE SCRUB™ (CONT.)

REF#	PART#	DESCRIPTION	QUANTITY
45	300550	BUSHING - FLANGED	
46	400074	NUT - HEX JAM 5/8 - 18 ZP	
47	303239	ASSY - LIFT ARM SCRUB HD RH PNTD	
48	309077	HOSE - SOL VALVE TO SOL TANK 82	
49	315334	WELDMENT - SCRUBHEAD F/S	
50	315769	FTG - TEE 1/2 FPT BRASS	
51	315535	FTG - 90 DEG 1/2 ID X 1/2 MPT	
52	315536	FTG - 90 DEG 3/4 ID X 1/2 MPT	
53	303219	BEARING - SPHERICAL PLAIN	
54	303217	RING - RET INT .87	
55	315758	HOSE - 5/8 OD X 1/2 ID X 14" LG	
56	305281	FTG - NIPPLE CLOSE 1/2 MPT	
57	315534	FTG - 1/2 ID TUBE X 1/2 MPT	
58	315760	HOSE - 5/8 OD X 1/2 ID X 25" LG	
59	321350	HOSE - 5/8 OD X 1/2 ID X 9" LONG	
60	400149	SCR - HEX 1/4 - 20 X 1.50 ZP	
61	315757	BAR - RETAINER FTG E/SC	
62	300457	BALL JOINT - .50 BORE	
63	400751	PIN - CLEVIS 1/2 X 4.00 ZP	
64	300432	BUSHING - FL - 52 - 4	
65	302411	SLEEVE - LIFT ARM SPACER	
66	300452	BALL - PLASTIC	
67	400087	WASHER - FLAT 3/8 STANDARD ZP	
68	400027	SCR - HEX 3/8 - 16 X 1.75 ZP	
69	301089	ASSY - ARM LIFT FULL PNTD	
70	400079	NUT - HEX 3/8 - 16 ES ZP	
71	312406	HUB - SCRUB BRUSH DRIVE 1" I.D.	
72	400668	WASHER - FENDER 1/4 X 1.25 OD ZP	
73	400101	WASHER - LOCK 3/8 SPLIT ZP	
74	400032	SCR - HEX 3/8 - 16 X 0.75 ZP	
75	301467	MOTOR - HYD H-SERIES SC HD PNTD	
76	302082	KEY - HYD MOTOR CURB BRM	
77	400392	NUT - FLANGE LOCK 3/8 - 16	
78	315665	BAR - SWAY EDGE SCRUB	
79	400664	U- BOLT - V BEND	
80	313126	BRUSH - SCRUB 16" PLAS NYLO-GRIT	1
	313128	BRUSH - SCRUB 16" PLAS STRATOGKIT	1
	313132	BRUSH - SCRUB 16" PLAS WIRE	1
	313134	BRUSH - SCRUB 16" PLAS BUTCHWIRE	1
	313136	BRUSH - SCRUB 16" PLASTIC NYLON	1

EDGE SCRUB™ (CONT.)



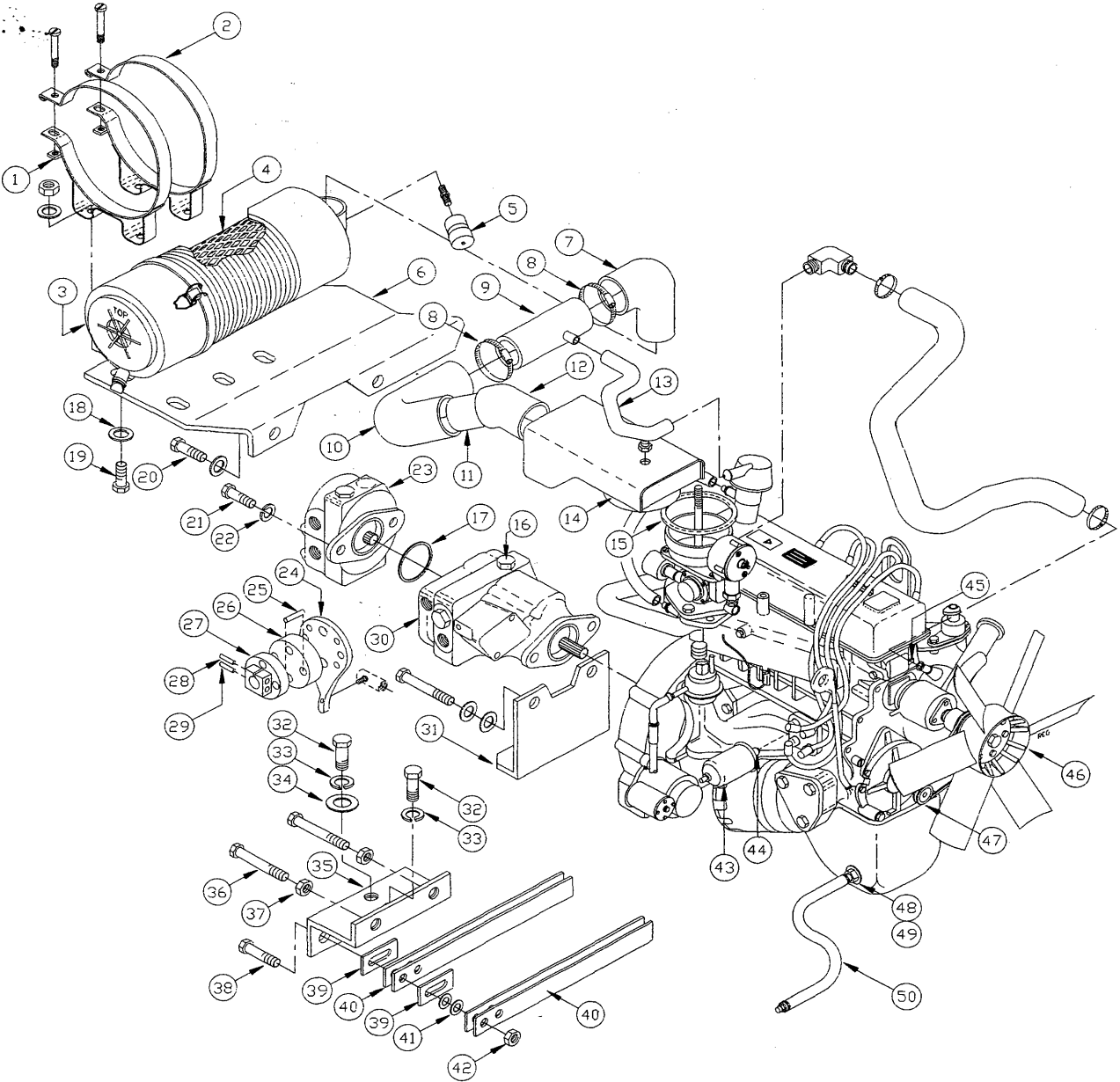
10:PF001



## EDGE SCRUB™ (CONT.)

REF#	PART#	DESCRIPTION	QUANTITY
1	315705	WELD - BRUSH GUARD E/SC	1
2	400032	SCR - HEX 3/8 - 16 X 0.75 ZP	1
3	400101	WASHER - LOCK 3/8 SPLIT ZP	1
4	312406	HUB - SCRUB BRUSH DRIVE 1" I.D.	1
5	400041	SCR - HEX 1/4 - 20 X 0.88 ZP	1
6	400103	WASHER - LOCK 1/4 SPLIT ZP	1
7	400668	WASHER - FENDER 1/4 X 1.25 OD ZP	1
8	308158	WHEEL - ROLLER 3" OD SQUEEGEE	1
9	400311	SCR - HEX 5/16 - 18 X 1.75 ZP F'THD	1
10	400233	WASHER - FENDER 5/16 1.00 OD	1
11	400080	NUT - HEX 5/16 -18 ES ZP	1
12	315712	SQUEEGEE - BRUSH GUARD	1
13	315713	SKIRT - BRUSH GUARD	1
14	315711	STRAP - BRUSH GUARD	1
15	400665	SCR - THM 5/16 - 18 X 1.50 ZP	1
16	301467	MOTOR - HYD H-SERIES SC HD PNTD	1
17	302082	KEY - HYD MOTOR CURB BRM	1
18	400158	FTG - 45 7/8 - 14 TO #8	1
19	400444	SCR - FLT 3/8 - 16 X 1.00, SOC	1
20	315329	WELDMENT - PIVOT SCRUBHEAD	1
21	300432	BUSHING - FL - 52 - 4	1
22	400342	NUT - HEX 3/8 - 24 ES ZP	1
23	400126	PIN - HITCH 1/2 X 1.50 ZP	1
24	315668	WELD - STAY ARM EDGE SCRUB	1
25	315783	HOSE - 1/2 AR 42. ST#8 90LG #8	1
26	315782	HOSE - 1/2 AR 31. ST#8 90S #8	1
27	315842	ROD - STAY ARM	1
28	400087	WASHER - FLAT 3/8 STANDARD ZP	2
29	315794	SPRING - EDGE SCRUB STAY ARM	1
30	315751	SPRING - STAY ARM EDGE SCRUB	1
31	400067	NUT - HEX 3/8 - 24 ZP	1
32	301997	PIN - ROT CYL OUTER PLTD	1
33	400117	PIN - CLEVIS 3/8 X 1 - 1/8 ZP	1
34	400125	PIN - COTTER 3/8 RUE - RING	1
35	315912	SQUEEGEE - BRUSH GUARD FRONT	1
36	315911	SKIRT - BRUSH GUARD FRONT	1
A	313126	BRUSH - SCRUB 16" PLAS NYLO-GRIT	1
	313128	BRUSH - SCRUB 16" PLAS STRATOGRIT	1
	313132	BRUSH - SCRUB 16" PLAS WIRE	1
	313134	BRUSH - SCRUB 16" PLAS BUTCHWIRE	1
	313136	BRUSH - SCRUB 16" PLASTIC NYLON	1

ENGINE - FORD

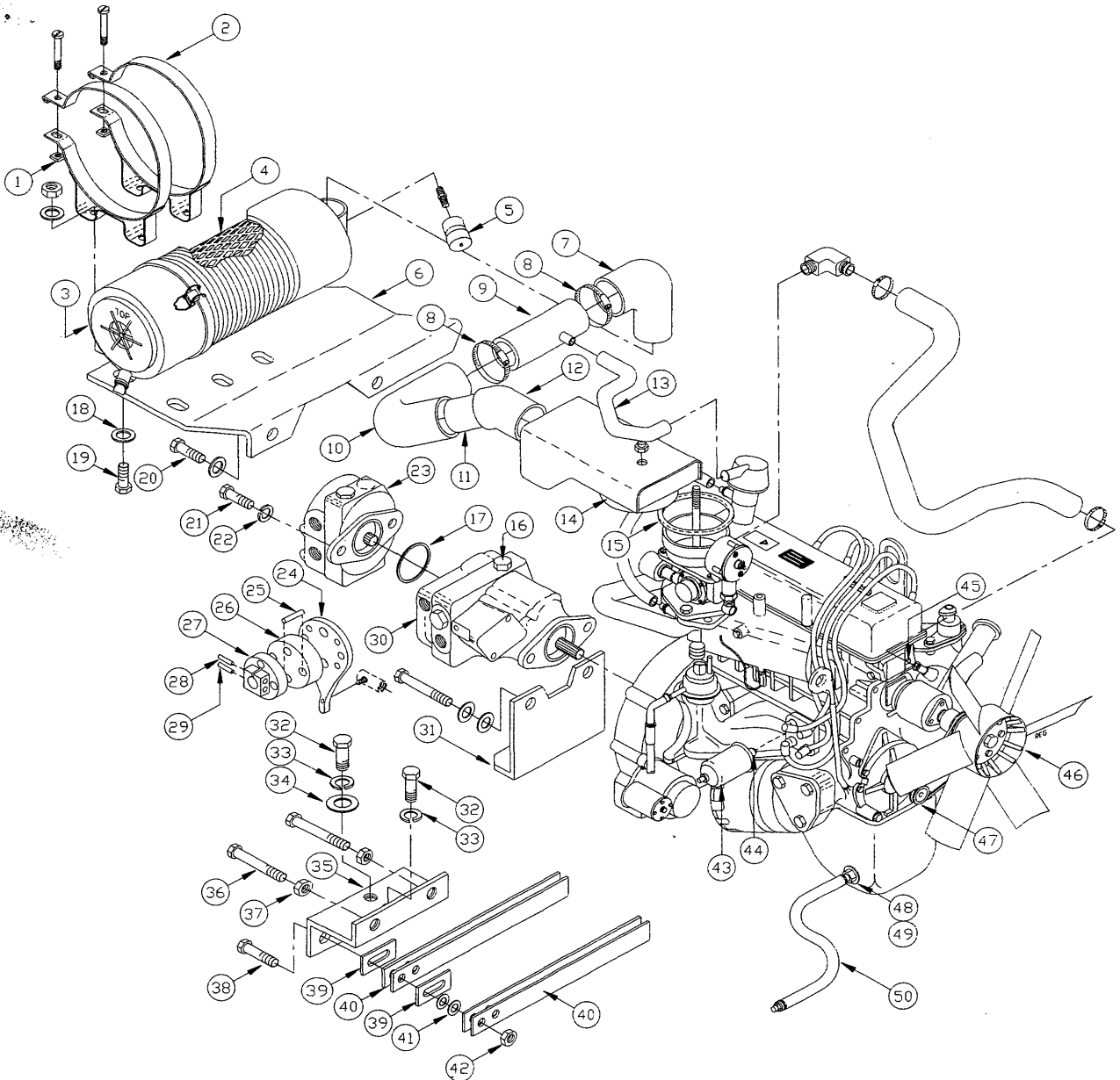


010PL001

## ENGINE - FORD

REF#	PART#	DESCRIPTION	QUANTITY
1	400070	NUT-HEX 5/16 - 18 ZP	4
2	300459	BAND-MTG AIR CLEANER PNTD BLAC	2
3	317917	AIR CLNR - RADIAL SEAL FPG STYLE	1
4	321143	ELEMENT - AIR CLNR / PLASTIC (SP)	1
5	303991	INDICATOR - AIR CLEANER KIT	1
6	316227	MNT- AIR CLEANER FORD ARMA	1
7	303385	ADAPTER - 90 EL RUBBER 3.50 X 2.50	1
8	303255	CLAMP - HOSE 1 3/4 NOM.	4
9	316230	ASSY - TUBE INTAKE FORD ARMA	1
11	304641	TUBE - AIR INTAKE FORD 2.00	
12	304639	ADAPTER - 45 EL RUBBER 2.00 ID	
13	500139	HOSE- 5/8 ID EEC - PCV	1
14	315799	WELD - AIR INTAKE FORD	
15	302473	O-RING - CARBURETOR	
16	310054	VALVE - TOW OPTION	1
17	303711	O-RING STATIC SEAL 3.239 ID	1
18	400102	WASHER - LOCK 5/16 SPLIT ZP	10
19	400035	SCR - HEX 5/16 - 18 X 1.00 ZP	4
20	400611	SCR - HHM 10 MM X 40 MM LG ZP	2
21	400029	SCR - HEX 3/8 - 16 X 1.25 ZP	9
22	400101	WASHER - LOCK 3/8 SPLIT ZP	9
23	309706	PUMP - AUX W/FLOW DIR GAS/LP	1
24	307219	PLT - DIRECTIONAL CONT PLTD SW/A	1
25	400231	SCR - HEX 5/16 - 18 X .20 ZP	2
26	301507	COUPLING - LORD DIR CNTRL	1
27	301544	ASSY - DISC FWD/REV PLTD	1
28	400027	SCR - HEX 3/8 - 16 X 1.75 ZP	1
29	400173	SCR - HEX 1/4 - 20 X 1.75 ZP	1
30	303581	PUMP - MAIN VD FS	1
31	312231	MNT - FWD/REV DSL SW/62 PLTD	1
32	400036	SCR - HEX, 5/16 - 18 X 0.75 ZP	1
33	400319	WASHER - LOCK 5/16 - SPLIT - SS	1
34	400088	WASHER - FLAT 5/16 STANDARD ZP	1
35	302115	BRKT - FWD/REV PLTD	1
36	400228	SCR - HEX 5/16 - 24 X 1.5 ZP FULL TH	2
37	400069	NUT - HEX 5/16 - 24 ZP	2
38	400149	SCR - HEX 1/4 - 20 X 1.50 ZP	2
39	303918	SPACER - FWD/REV BRKT PLTD	2
40	300543	SPRING - RETURN	4
41	400089	WASHER - FLAT 1/4 STANDARD ZP	6
42	400081	NUT - HEX 1/4 - 20 ES ZP	10
43	300387	SENDER - OIL PRESSURE	1
44	304622	FTG - REDUCER 1/4 MPT - 1/8 FPT	1

ENGINE - FORD (CONT.)



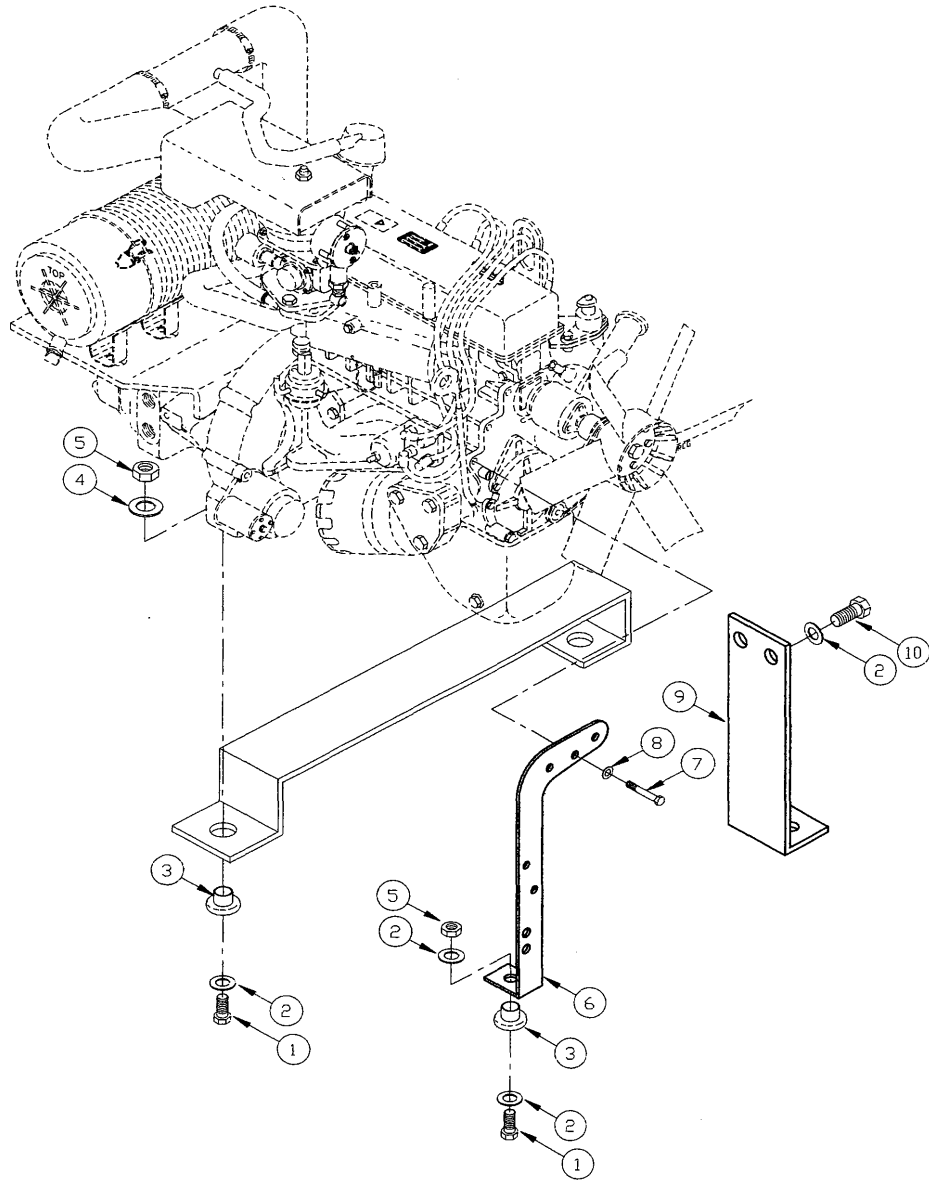
010PL001



## ENGINE - FORD (CONT.)

REF#	PART#	DESCRIPTION	QUANTITY
45	300386	SENDER - TEMP FORD	1
46	340180	FORD - FAN 6 - BLADE (SP)	1
47	340101	FORD - PULLEY CRK 2 - GROOVE (SP)	1
48	303302	FTG - REDUCER 3/8 FPT X 1/4 MPT	
49	400190	FTG - 90 EL 1/2 TUBE TO 3/8 MPT	
50	500135	HOSE - 1/2 ID EEC / PCV	1

ENGINE - FORD (CONT.)



010PL002

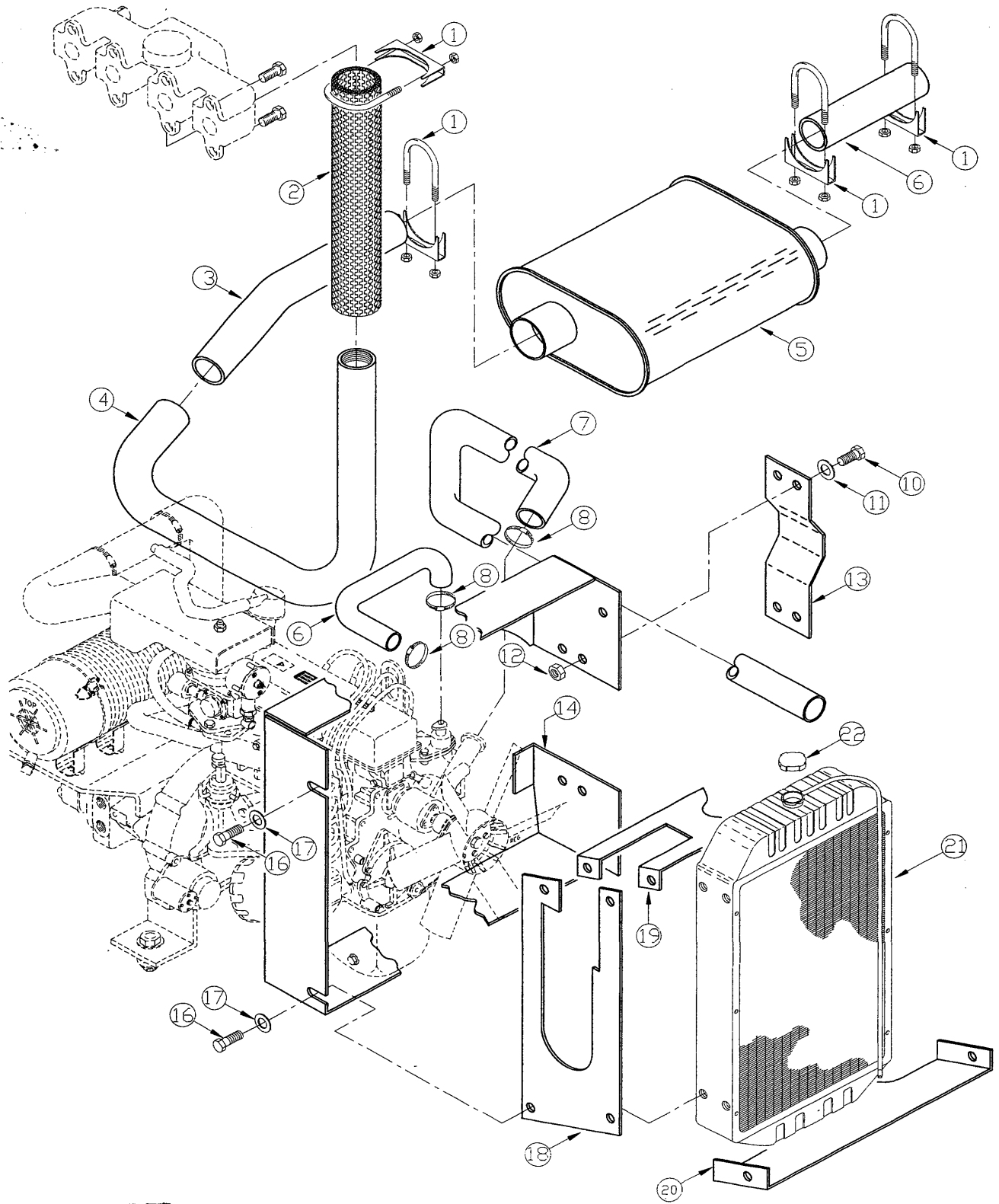




## ENGINE - FORD (CONT.)

REF#	PART#	DESCRIPTION	QUANTITY
1	400020	SCR - HEX , 1/2 - 13 X 2.00 ZP	
2	400098	WASHER - LOCK 1/2 SPLIT ZP	
3	300464	MOUNT - ISOLATION	
4	400091	WASHER - FENDER 1/2 ZP	
5	400065	NUT - HEX 1/2 - 13 ZP	
6	317515	MNT - ENG FORD 1.3L RH MS/FS FRNT	
7	400030	SCR - HEX, 3/8 - 16 X 1.00 ZP	
8	400101	WASHER - LOCK 3/8 SPLIT ZP	
9	317516	MNT- ENG FRT FORD 1.3L MS/FS	
10	400611	SCR - HHM 10MM X 40 MM LG ZP	

ENGINE - FORD (CONT.)



010PL03A

## ENGINE - FORD (CONT.)

REF#	PART#	DESCRIPTION	QUANTITY
1	303118	CLAMP - EXHAUST 1 5/8"	
2	317611	SLEEVE - MANIF FORD 1.3 DIS (82 MODELS)	
2	317614	SLEEVE - MANIF FORD 1.3 FS (90 MODELS)	
3	317621	TUBE - EXHAUST INTERMED FORD 1.3 (90 MODELS)	
3	317673	TUBE - EXHAUST INTERMED FORD 1.3 (82 MODELS)	
4	316165	TUBE - EXHAUST MANIFLD FORD ARMA	
5	302914	MUFFLER - SPARK ARRESTOR SC KIT (90 MODELS)	
5	303921	MUFFLER - 78 & 75 SERIES (82 MODELS)	
6	316791	TUBE - EXH TAIL PIPE TSS/82 E/SC	
7	317672	HOSE - RADIATOR LOWER 1.3L FORD	
8	044112	CLAMP - HOSE 2.50 MAX WORM	
9	317658	HOSE - RADIATOR UPPER FORD	
10	400043	SCR - HEX 1/4 - 20 X 0.50 ZP	
11	400383	WASHER - CONICAL SPRING 1/4	
12	400063	NUT - FLANGE LOCK 1/4 - 20 ZP	
13	316173	STRAP - SHROUD RAD FORD ARMA	
14	317667	WELDMENT - SHROUD RAD FORD 1.3L	
16	400207	SCR - HEX, 5/16 - 18 X 0.50 ZP	
17	400384	WASHER - CONICAL SPRING 5/16	
18	305394	BAFFLE - RAD - 4-C FRT HD TYA PNTD	
19	305392	BAFFLE - RAD - 4-C TOP HD TYA PNTD	
20	305390	BAFFLE - RAD - 4-C BTM TYA PNTD	
	305395	BAFFLE - RAD - 4-C REAR TYA PNTD (NOT SHOWN)	
21	301995	RADIATOR - HEAVY DUTY	
22	300420	CAP - RADIATOR	
	316798	BLANKET - MUFFLER 82 E/SC (NOT SHOWN)	



### ENGINE - FORD (SERVICE PARTS)

REF#	PART#	DESCRIPTION
	340016	FORD - ADAPTER
	340200	FORD - ADAPTER CARB SIDE DRAFT
	340181	FORD - ADAPTER FUEL PUMP
	340190	FORD - ADAPTER VAC LINE
	340211	FORD - ALTERNATOR 55 AMP
	340219	FORD - ARM ADJUSTING ALTERNATOR
	340066	FORD - ARM TENSIONER
	340071	FORD - ARM VALVE LEFT
	340070	FORD - ARM VALVE RIGHT
	340228	FORD - BELT WATER PUMP & ALTERNATOR
	340160	FORD - BELT WATER PUMP TO ALTERNATOR
	340007	FORD - BLOCK CYLINDER
	340008	FORD - BLOCK CYLINDER ASSEMBLY
	340023	FORD - BOLT CYLINDER HEAD
	340156	FORD - BOLT FAN TO SPACER
	340046	FORD - BOLT FT COV & W/P TO BLK
	340047	FORD - BOLT FT COV TO BLK M6 X 18
	340045	FORD - BOLT FT COV TO BLK M6 X 50
	340220	FORD - BOLT M10 X 25 ENG
	340149	FORD - BOLT M6 X 14 OIL PAN
	340058	FORD - BOLT M6 X 16
	340064	FORD - BOLT M6 X 16 TEN TO BLK
	340169	FORD - BOLT M6 X 40 FT COV TO BLK
	340063	FORD - BOLT M6 X 55 TEN TO BLK
	340202	FORD - BOLT M6 X 95 CARB
	340061	FORD - BOLT M8 X 16
	340112	FORD - BOLT M8 X 20
	340226	FORD - BOLT M8 X 20 ALT
	340163	FORD - BOLT M8 X 20 THER
	340225	FORD - BOLT M8 X 25 ALT
	340178	FORD - BOLT M8 X 25 INTAKE
	340221	FORD - BOLT M8 X 40 ACT TO BRKT
	340222	FORD - BOLT M8 X 50 ALT TO BRKT
	340018	FORD - BOLT MAIN BRG CAP
	340231	FORD - BOLT MNT STARTER
	340159	FORD - BOLT MS X 20 FAN BD
	340134	FORD - BOLT OIL PAN
	340102	FORD - BOLT PULLEY TO CRANK
	340075	FORD - BOLT ROCK SUPPORT
	340120	FORD - BOLT TO RD CONN
	340054	FORD - BRG - CENT & RR STD ID .02 OD
	340053	FORD - BRG CENT & RR STD
	340214	FORD - BRG FRT ALTERNATOR
	340051	FORD - BRG FRT STD

## ENGINE - FORD (SERVICE PARTS CONT.)

REF#	PART#	DESCRIPTION
	340052	FORD - BRG FT STD ID .020 ID
	340122	FORD - BRG ROD CONN 001
	340123	FORD - BRG ROD CONN 010
	340124	FORD - BRG ROD CONN 020
	340125	FORD - BRG ROD CONN 030
	340121	FORD - BRG ROD CONN STD
	340215	FORD - BRG RR ALTERNATOR
	340218	FORD - BRKT MNT ALTERNATOR
	340217	FORD - BRUSH ALTERNATOR
	340050	FORD - CAMSHAFT
	340038	FORD - CAP OIL FILL
	340174	FORD - CAP WATER OUTLET NIPPLE
	322523	FORD - CARBURETOR - 1.3L DWN DRFT W/ACTUATOR
	322564	FORD - CARBURETOR - LPG DOWNDRAFT FORD
	340196	FORD - CARBURETOR ASSEMBLY
	340049	FORD - CHAIN ASSY TIMING
	340244	FORD - CLAMP FUEL HOSE
	340175	FORD - CLAMP HOSE
	340172	FORD - CLAMP HOSE 1.12
	340206	FORD - CLAMP HOSE 1.12
	340161	FORD - CONNECTOR WATER OUT
	340235	FORD - CONTROL ASSEMBLY IGNITION
	322525	FORD - CONTROLLER - 1.3L GAS ELEC GOV
	322530	FORD - CONTROLLER - 1.3L LP ELEC GOV
	340033	FORD - COVER ROCKER ARM
	340015	FORD - COVER SWITCH
	340082	FORD - CRANKSHAFT ASSEMBLY
	340145	FORD - DIPSTICK OIL LEVEL
	340055	FORD - DOWEL
	340131	FORD - DOWEL CLUTCH
	340024	FORD - DOWEL CYL TO BLOCK
	340126	FORD - DOWEL PIN CONNECTOR ROD
	340230	FORD - DRIVE ASSEMBLY
	340203	FORD - ELBOW 90 DEGREE
	340180	FORD - ELBOW 90 DEGREE 1/8-27
	340154	FORD - FAN 6-BLADE
	340179	FORD - FILTER ASSEMBLY FUEL
	340147	FORD - FILTER OIL
	340129	FORD - FLYWHEEL & CLUTCH ASSEMBLY
	340183	FORD - FUEL PUMP
	322527	FORD - GASKET - CARB ADAPTOR TO INT MANIF
	322526	FORD - GASKET - CARB ADAPTOR TO CARB

**ENGINE - FORD (SERVICE PARTS CONT.)**

REF#	PART#	DESCRIPTION
	340201	FORD - GASKET ADAPTER TO MANIFOLD
	340197	FORD - GASKET CARBURETOR
	340022	FORD - GASKET CYLINDER HEAD
	340004	FORD - GASKET FRONT COVER
	340001	FORD - GASKET FUEL PUMP
	340000	FORD - GASKET KIT ENGINE
	340187	FORD - GASKET MANIFOLD EXHAUST
	340177	FORD - GASKET MANIFOLD INTAKE
	340153	FORD - GASKET OIL PAN PLUG
	340136	FORD - GASKET OIL PP & O BLK
	340005	FORD - GASKET REAR RETAINER
	340034	FORD - GASKET ROCKER ARM COVER
	340166	FORD - GASKET THERMOSTAT
	340162	FORD - GASKET WATER OUT
	340168	FORD - GASKET WATER PUMP
	340140	FORD - GEAR OIL
	340208	FORD - GOVERNOR HOOF
	340243	FORD - HARNESS WIRE ASSEMBLY
	340021	FORD - HEAD ASSEMBLY CYLINDER
	340205	FORD - HOSE ADAPTER TO INTAKE MANIFOLD
	340204	FORD - HOSE ADAPTER TO WATER PUMP
	340171	FORD - HOSE BY-PASS
	340182	FORD - HOSE FUEL 5/16 ID X 18
	340041	FORD - HOSE PCV
	340132	FORD - HOUSING ASSEMBLY
	340233	FORD - IGNITION ASSEMBLY
	340039	FORD - INSERT EX VLV ST
	340040	FORD - INSERT IN VLV ST
	340107	FORD - KEY WOODRUFF
	340207	FORD - KIT CARBURETOR REPAIR
	340192	FORD - KIT INTAKE MANIFOLD PLUG
	340151	FORD - KIT OIL PAN GASKET
	340213	FORD - KIT PULLEY INST
	340167	FORD - KIT WATER PUMP & PULLEY
	340194	FORD - LIFETIME EYE
	340017	FORD - LINER CYLINDER
	340032	FORD - LOCK VLV SPRING
	340089	FORD - MAIN BEARING CRK LOW 005-010
	340090	FORD - MAIN BEARING CRK LOW 015-020
	340084	FORD - MAIN BEARING CRK LOWER 005
	340085	FORD - MAIN BEARING CRK LOWER 010
	340086	FORD - MAIN BEARING CRK LOWER 015
	340087	FORD - MAIN BEARING CRK LOWER 020
	340088	FORD - MAIN BEARING CRK LOWER 030



### ENGINE - FORD (SERVICE PARTS CONT.)

REF#	PART#	DESCRIPTION
	340083	FORD - MAIN BEARING CRK LOWER STD
	340092	FORD - MAIN BEARING CRK UP 005
	340097	FORD - MAIN BEARING CRK UP 005-010
	340093	FORD - MAIN BEARING CRK UP 010
	340094	FORD - MAIN BEARING CRK UP 015
	340098	FORD - MAIN BEARING CRK UP 015-020
	340095	FORD - MAIN BEARING CRK UP 020
	340096	FORD - MAIN BEARING CRK UP 030
	340091	FORD - MAIN BEARING CRK UP STD
	340186	FORD - MANIFOLD EX DN OUT
	340176	FORD - MANIFOLD INTAKE
	340223	FORD - NUT M8 ALT TO BRACKET
	340198	FORD - NUT M8 CARB TO ADAPTER
	340189	FORD - NUT M8UB5 MAN TO CYL
	340148	FORD - OIL PAN W/ PLUG
	340081	FORD - PIN COTTER 3/32 X 7/8
	340141	FORD - PIN DRIVE GEAR
	340067	FORD - PIN TENSIONER
	340114	FORD - PISTON PIN RING ASSEMBLY 020
	340115	FORD - PISTON PIN RING ASSEMBLY 040
	340113	FORD - PISTON PIN RING ASSEMBLY STD
	340056	FORD - PLATE THRUST
	340012	FORD - PLUG 1/4 NPT
	340010	FORD - PLUG 51MM (2.01)
	340013	FORD - PLUG BALL OIL 11MM
	340009	FORD - PLUG EX 1.639 DIA
	340173	FORD - PLUG FAN MOT STCH
	340193	FORD - PLUG MAN
	340152	FORD - PLUG OIL DRAIN
	340144	FORD - PLUG OIL PUMP
	340078	FORD - PLUG SHAFT END
	340142	FORD - PLUNGER OIL
	340011	FORD - PLUG 1/4 NPT
	340212	FORD - PULLEY
	340101	FORD - PULLEY CRK 2-GROOVE
	340158	FORD - PULLEY WATER PUMP
	340133	FORD - PUMP OIL GEAR
	340109	FORD - REAR RETAINER ASSEMBLY
	340216	FORD - REGULATOR ASSEMBLY ALTERNATOR
	340031	FORD - RETAINER
	340057	FORD - RETAINER CAMSHAFT
	340060	FORD - RETAINER SPROCKET



### ENGINE - FORD (SERVICE PARTS CONT.)

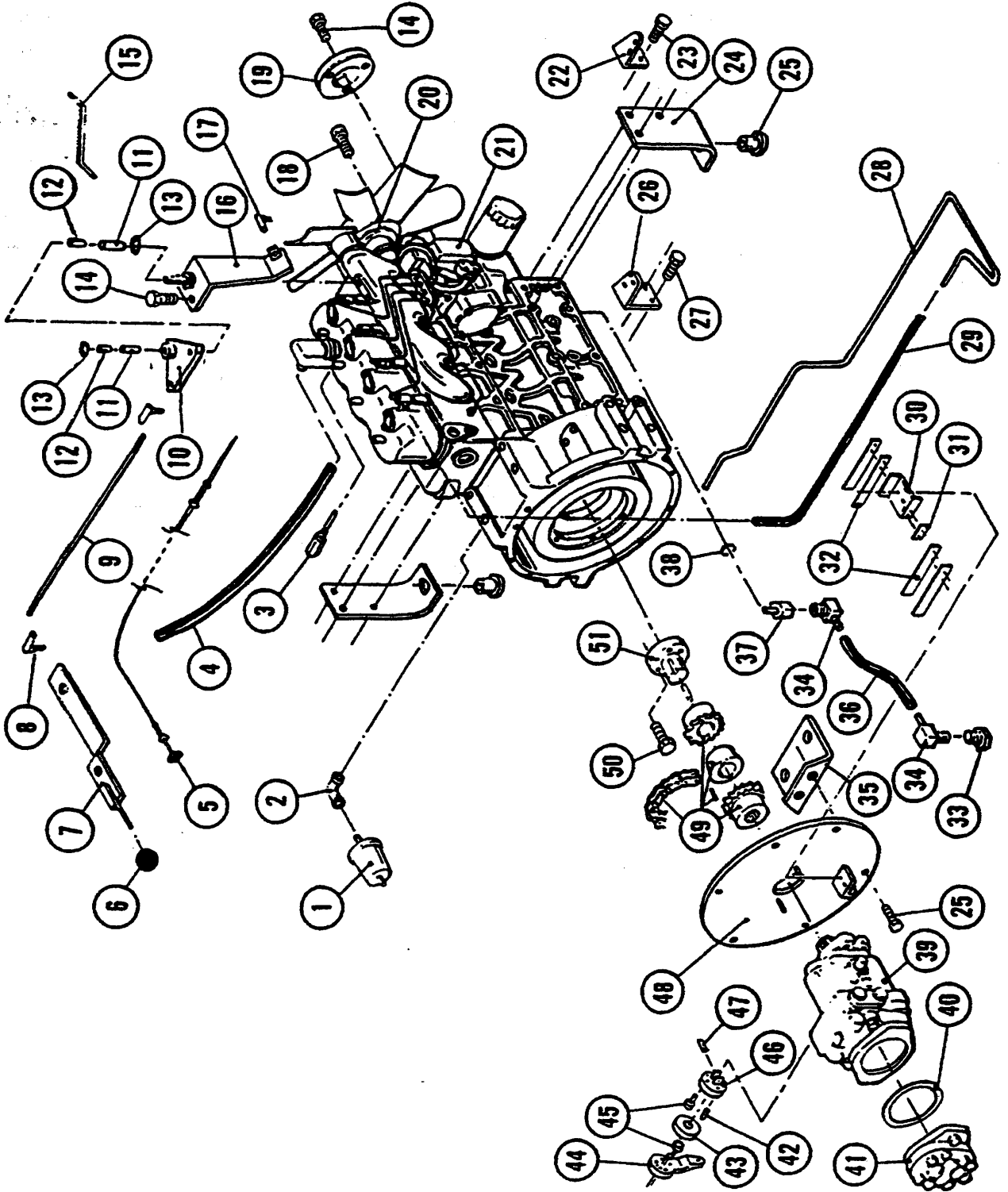
REF#	PART#	DESCRIPTION
	340130	FORD - RING GEAR FLW 135TH
	340117	FORD - RING SET PISTON 020
	340118	FORD - RING SET PISTON 040
	340116	FORD - RING SET PISTON STD
	340119	FORD - ROD ASSEMBLY CONNECTOR
	340069	FORD - ROD VLV PUSH
	340138	FORD - ROTOR & SHAFT
	340195	FORD - SCREW & WASHER
	340185	FORD - SCREW & WASHER M8 X 30
	340020	FORD - SCREW M6 X 14
	340234	FORD - SCREW M8 X 14 IG
	340035	FORD - SCREW ROCKER COV HEAD
	340072	FORD - SCREW VLV ARM
	340042	FORD - SEAL ASSEMBLY CYLINDER FRONT
	340139	FORD - SEAL COVER PLATE OIL
	340110	FORD - SEAL CRANKSHAFT REAR
	340043	FORD - SEAL FRONT COVER
	340104	FORD - SEAL FRONT COVER
	340030	FORD - SEAL VLV STEM
	340240	FORD - SEPARATOR IGNITION WIRE
	340241	FORD - SEPARATOR IGNITION WIRE
	340077	FORD - SHAFT ASSEMBLY
	340105	FORD - SLINGER OIL
	340157	FORD - SPACER FAN
	340210	FORD - SPACER FOX GOVERNOR
	340242	FORD - SPARK PLUG
	340076	FORD - SPRING LOCATING
	340143	FORD - SPRING OIL
	340029	FORD - SPRING VALVE
	340059	FORD - SPROCKET CAMSHAFT
	340106	FORD - SPROCKET CRANKSHAFT
	340229	FORD - STARTER MOTOR
	340155	FORD - STRAP FAN
	340188	FORD - STUD M8 X 27.5 MAN TO CYL
	340199	FORD - STUD M8 X29.5 CARB TO ADP
	340073	FORD - SUPPORT ARM SHAFT
	340014	FORD - SWITCH OIL PRESSURE
	340068	FORD - TAPPET STD
	340062	FORD - TENSIONER
	340165	FORD - THERMOSTAT ASSEMBLY 160 DEGREE
	340019	FORD - TRANSDUCER IGNITION
	340137	FORD - TUBE ASSEMBLY OIL PUMP
	340146	FORD - TUBE OIL LEVEL DIPSTICK



ENGINE - FORD (SERVICE PARTS CONT.)

REF#	PART#	DESCRIPTION
	340028	FORD - VALVE EXHAUST .40MM
	340027	FORD - VALVE EXHAUST STD
	340026	FORD - VALVE INTAKE .40MM
	340025	FORD - VALVE INTAKE STD
	340065	FORD - WASHER 1/4 LOCK
	340074	FORD - WASHER B10 X 20 X 2.5
	340036	FORD - WASHER FLAT 6MM
	340080	FORD - WASHER FLAT TYPE
	340048	FORD - WASHER LOCK M6
	340170	FORD - WASHER M6 LOCK THER
	340224	FORD - WASHER M8 FLT ALT TO BRK
	340111	FORD - WASHER M8 LK
	340227	FORD - WASHER M8 LK ACT
	340135	FORD - WASHER M8 LOCK
	340164	FORD - WASHER M8 LOCK THER
	340100	FORD - WASHER MAIN BRG 015
	340099	FORD - WASHER MAIN BRG STD
	340103	FORD - WASHER PULLEY TO CRANKSHAFT
	340079	FORD - WASHER SPRING
	340236	FORD - WIRE ASSEMBLY SPARK PLUG #1
	340237	FORD - WIRE ASSEMBLY SPARK PLUG #2
	340238	FORD - WIRE ASSEMBLY SPARK PLUG #3
	340239	FORD - WIRE ASSEMBLY SPARK PLUG #4

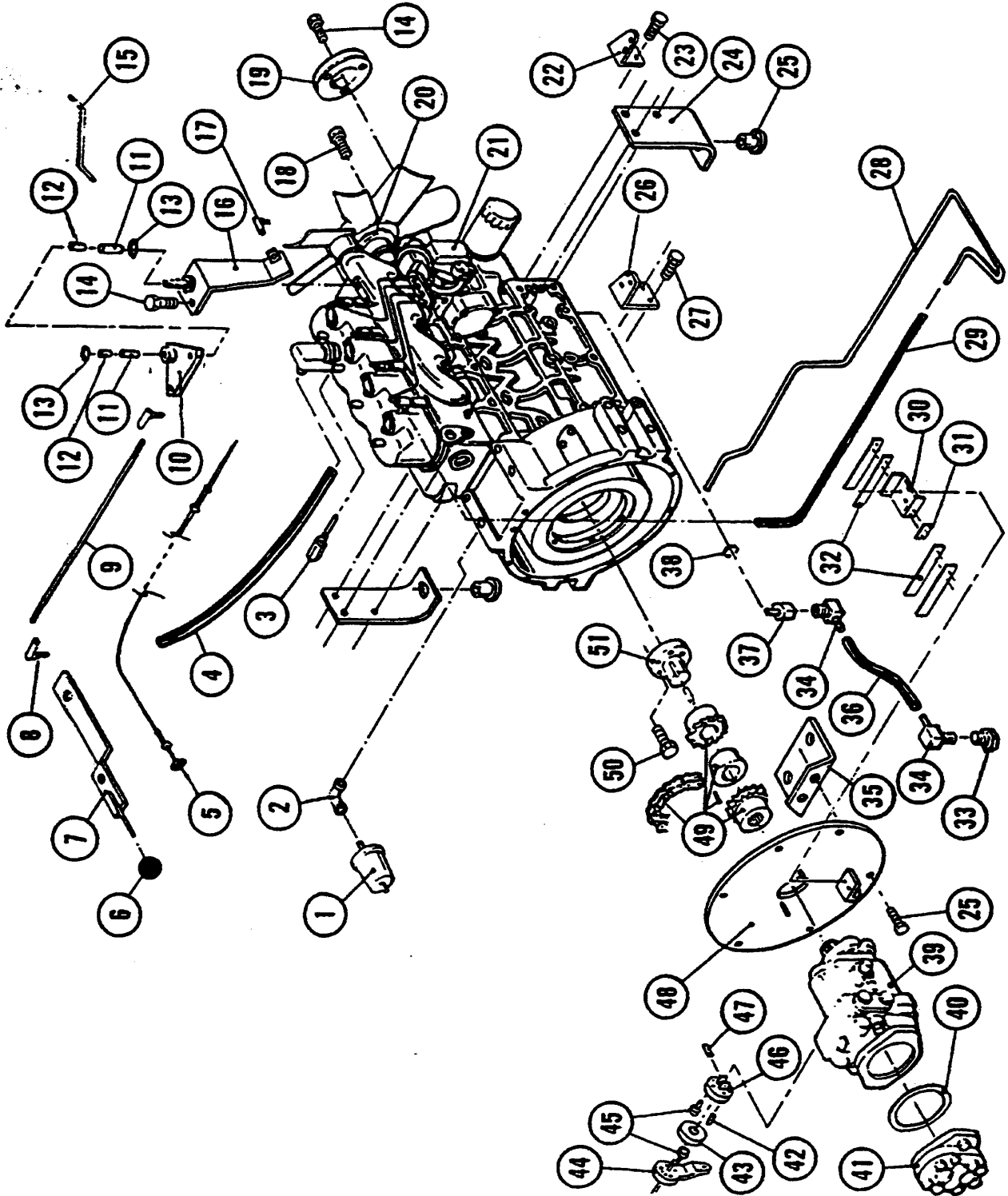
ENGINE - KUBOTA (3 CYLINDER)



## ENGINE - KUBOTA (3 CYLINDER)

REF#	90 SER	80 SER	DESCRIPTION	QUANTITY
1	300387		SENDER, OIL PRESSURE	
2	301720		FITTING, 90 DEG. ELBOW, 1/8" NPT	
3	302904		SENDER, TEMP DIESEL	
4	303014		HOSE, CRANKCASE VENT	
5	301427		CABLE, IMP & STOP DIESEL	
6	300563		KNOB, BALL, 1" DIA	
7	302846		LEVER ASSEMBLY, THROTTLE	
8	301199		JOINT ASSEMBLY, BALL, 1/4 - 28	
9	302790		ROD, THROTTLE, LONG	
10	302780		PIVOT ASSEMBLY, BELLCRANK	
11	300430		BUSHING, SELF-LUBRICATING, .499 I.D. x .594 O.D.	
12	300339		SLEEVE	
13	400178		BEARING, FIBERGLIDE, .531 I.D. x 1.00 O.D.	
14	400292		SCREW, HHM, 8MM x 1.25P x 50MM	
15	302791		ROD, THROTTLE, SHORT	
16	302783		MOUNT ASSEMBLY, BELLCRANK	
17	301459		JOINT ASSEMBLY, BALL, 10-32	
18	400290		SCREW, HHM, 6MM x 1.00P x 20MM	
19	302801		PULLEY, ENGINE	
20	302906		FAN, SPACER	
21	304907		ENGINE, DIESEL KUBOTA	
22	305882		MOUNT, FUEL FILTER	
23	400402		SCREW, HHM, 12MM x 1.25P x 40MM	
24	301885		MOUNT, FRONT ENGINE	
25	300464		MOUNT, ISOLATION	
26	305883		MOUNT, HYDRAULIC OIL FILTER	
27	400296		SCREW, HHM, 12MM x 1.25P x 32MM	
28	303006		TUBE, FUEL RETURN LINE	
29	303008		HOSE, FUEL RETURN LINE	
30	302115		BRACKET, FWD/REV	
31	303918		SPACER, BRACKET	
32	300543		SPRING, RETURN	
33	400194		FITTING, 3/8" PIPE PLUG	
34	400190		FITTING, 90 DEG. ELBOW, 1/2" TO 3/8" NPT	
35	301883		MOUNT, F/W ENGINE	
36	303013		HOSE, OIL DRAIN	
37	305251		FITTING, OIL PAN DRAIN	
38	305252		WASHER	
39	303581		PUMP, MAIN VD	
40	303711		O-RING, STATIC SEAL	
41	300482		PUMP, AUX.	
42	300339		SLEEVE	

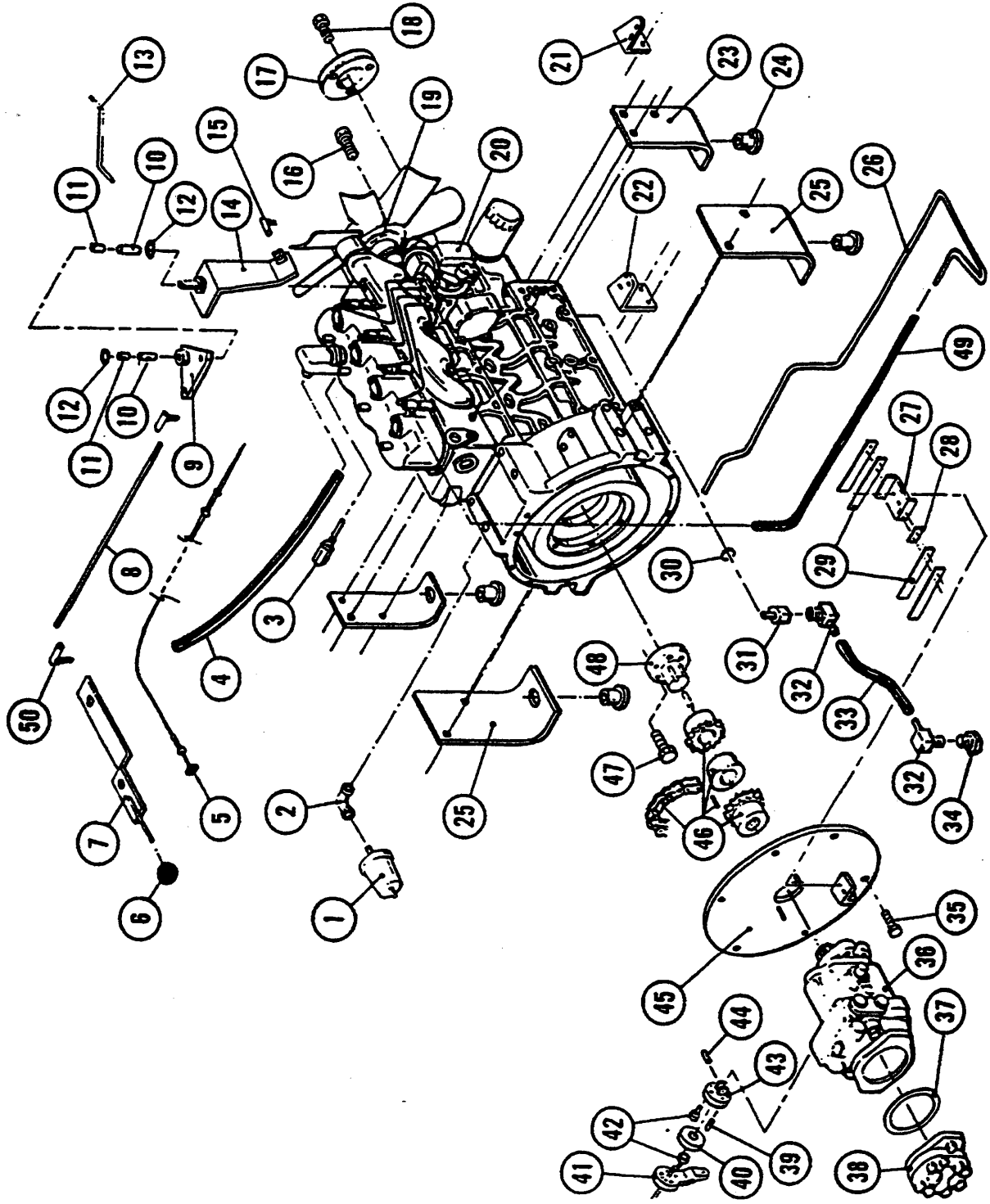
ENGINE - KUBOTA (3 CYLINDER)



ENGINE - KUBOTA (3 CYLINDER)

REF#	90 SER	80 SER	DESCRIPTION	QUANTITY
43	301507		COUPLING	
44	301542		ARM, FWD/REV	
45	300526		BUMPER, RUBBER	
46	301544		DISC ASSEMBLY, FWD/REV	
47	400173		SCREW, HHM, 1/4 - 20 x 1.75	
48	305511		PLATE ASSEMBLY, PUMP MOUNTING	
49	302655		SPROCKET ASSEMBLY, DRIVE	
50	400295		SCREW, HHM, 12MM x 1.25P x 50MM	
51	302799		ADAPTER, PUMP DRIVE	

ENGINE - KUBOTA (4 CYLINDER)

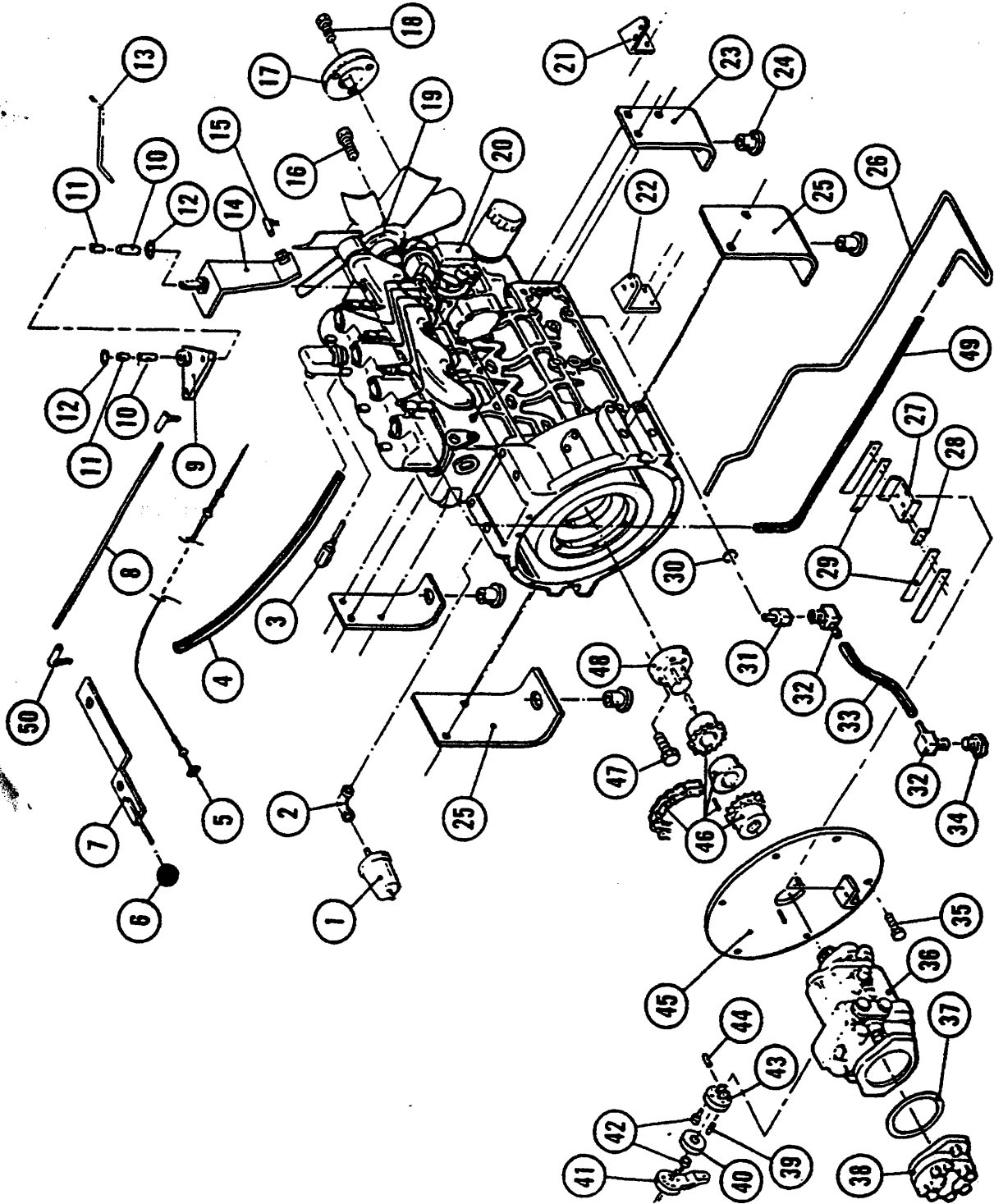




### ENGINE - KUBOTA (4 CYLINDER)

REF#	90 SER	80 SER	DESCRIPTION	QUANTITY
1	300387		SENDER, OIL PRESSURE	
2	301720		FITTING, 90 DEG. ELBOW, 1/8" NPT	
3	302904		SENDER, TEMP DIESEL	
4	303014		HOSE, CRANKCASE VENT	
5	301427		CABLE, IMP & STOP DIESEL	
6	300563		KNOB, BALL, 1" DIA	
7	302846		LEVER ASSEMBLY, THROTTLE	
8	302790		ROD, THROTTLE, LONG	
9	302780		PIVOT ASSEMBLY, BELLCRANK	
10	300430		BUSHING, SELF-LUBRICATING, .499 I.D. x .594 O.D.	
11	300339		SLEEVE	
12	400178		BEARING, FIBERGLIDE, .531 I.D. x 1.00 O.D.	
13	302791		ROD, THROTTLE, SHORT	
14	302783		MOUNT ASSEMBLY, BELLCRANK	
15	301459		JOINT ASSEMBLY, BALL, 10-32	
16	400290		SCREW, HHM, 6MM x 1.00P x 20MM	
17	302801		PULLEY, ENGINE	
18	400292		SCREW, HHM, 8MM x 1.25P x 50MM	
19	302906		FAN, SPACER	
20	300439		ENGINE, DIESEL KUBOTA	
21	305882		MOUNT, FUEL FILTER	
22	305883		MOUNT, HYDRAULIC OIL FILTER	
23	301885		MOUNT, FRONT ENGINE	
24	300464		MOUNT, ISOLATION	
25	301883		MOUNT, F/W ENGINE	
26	303006		TUBE, FUEL RETURN LINE	
27	302115		BRACKET, FWD/REV	
28	303918		SPACER, BRACKET	
29	300543		SPRING, RETURN	
30	305252		WASHER	
31	305251		FITTING, OIL PAN DRAIN	
32	400190		FITTING, 90 DEG. ELBOW, 1/2" TO 3/8" NPT	
33	303013		HOSE, OIL DRAIN	
34	400194		FITTING, 3/8" PIPE PLUG	
35	400296		SCREW, HHM, 12MM x 1.25P x 32MM	
36	303581		PUMP, MAIN VD	
37	303711		O-RING, STATIC SEAL	
38	300482		PUMP, AUX.	
39	300339		SLEEVE	
40	301507		COUPLING	
41	301542		ARM, FWD/REV	
42	300526		BUMPER, RUBBER	

ENGINE - KUBOTA (4 CYLINDER)



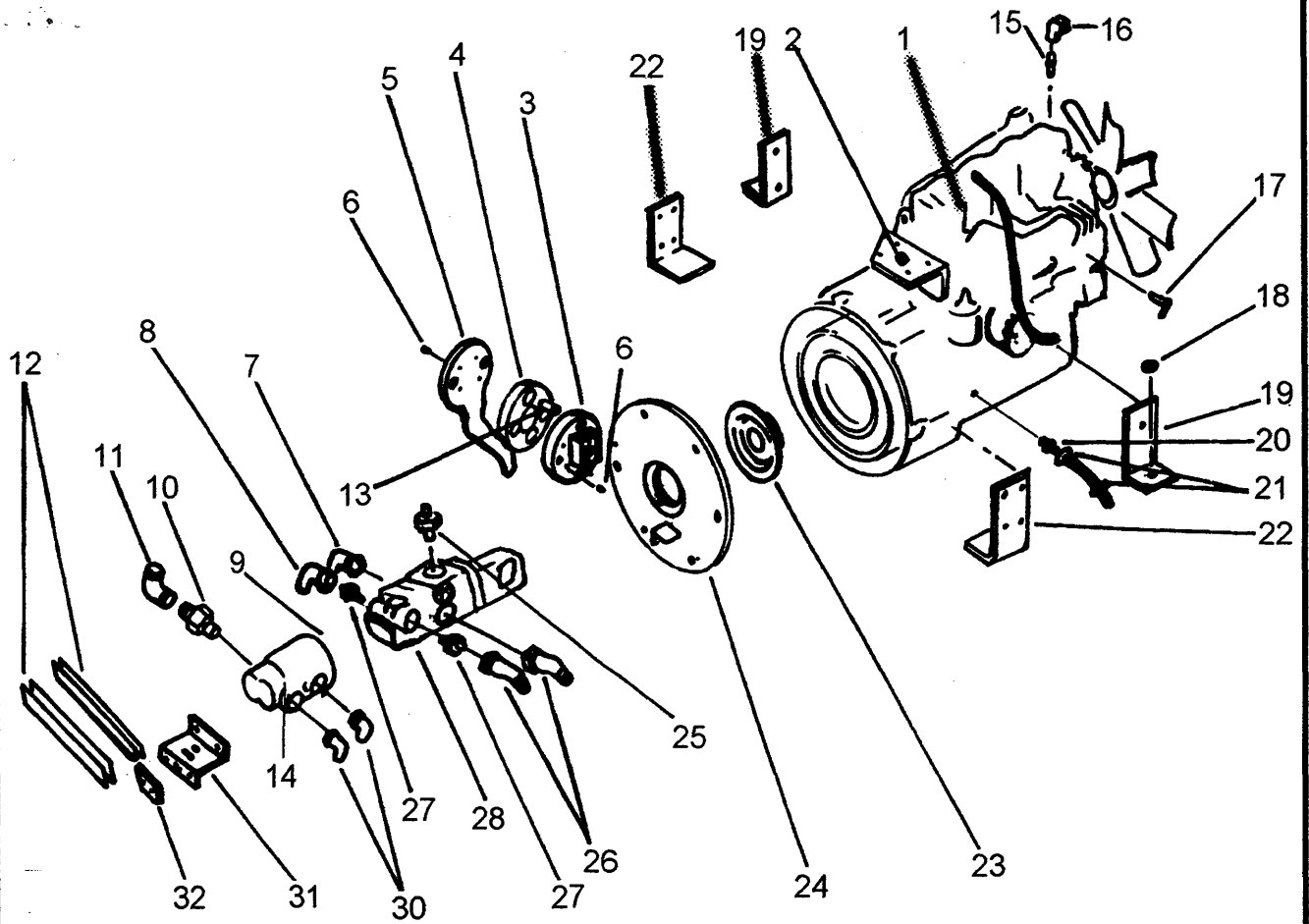


ENGINE - KUBOTA (4 CYLINDER)

REF#	90 SER	80 SER	DESCRIPTION	QUANTITY
43	301544		DISC ASSEMBLY, FWD/REV	
44	400173		SCREW, HHM, 1/4 - 20 x 1.75	
45	301134		PLATE ASSEMBLY, PUMP MOUNTING	
46	302655		SPROCKET ASSEMBLY, DRIVE	
47	400295		SCREW, HHM, 12MM x 1.25P x 50MM	
48	302799		ADAPTER, PUMP DRIVE	
49	303008		HOSE, FUEL RETURN LINE	
50	301199		JOINT ASSEMBLY, BALL, 1/4 - 28	



ENGINE -PERKINS (DIESEL - 104-19)

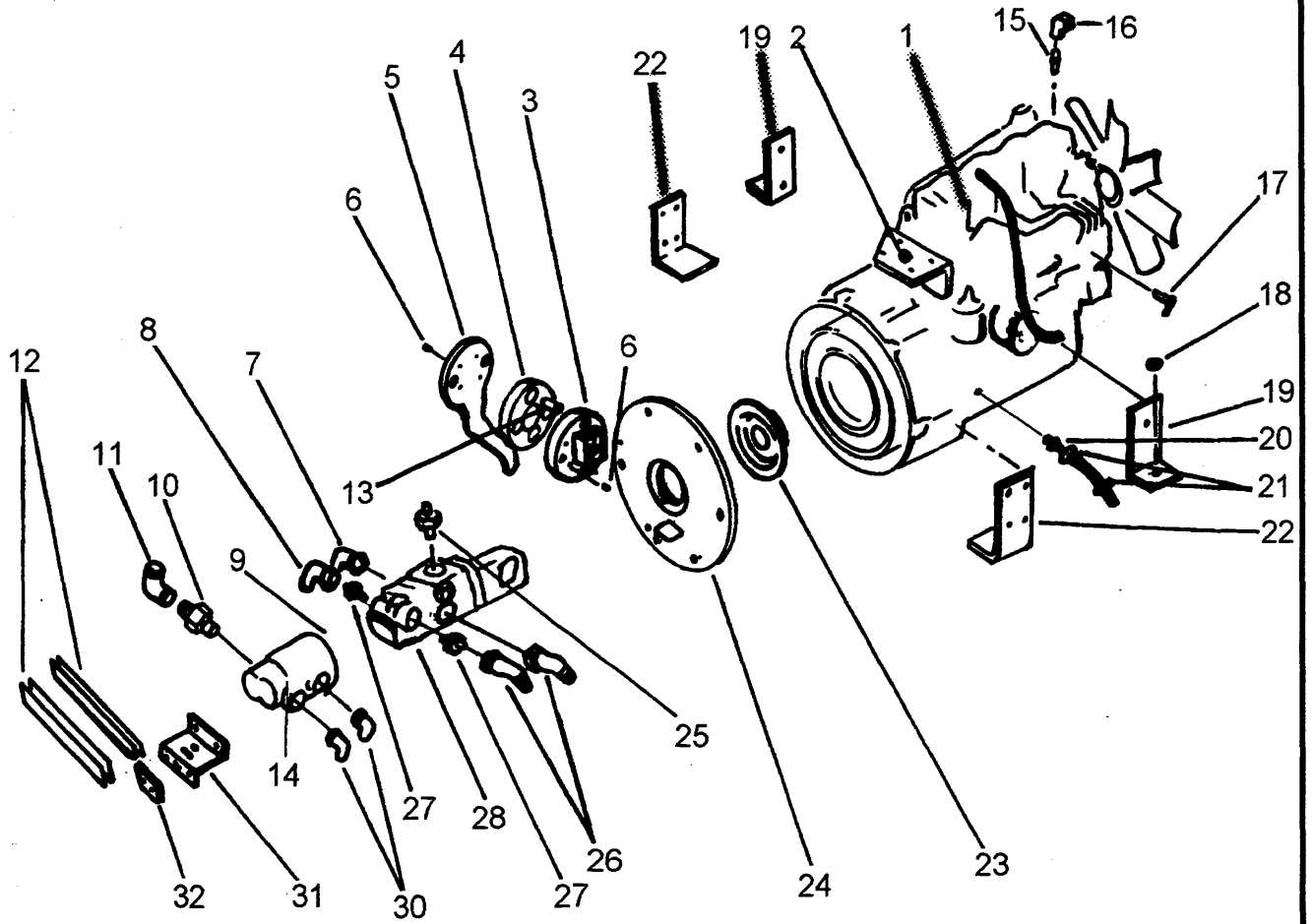




### ENGINE -PERKINS (DIESEL 104-19) (90 ONLY)

REF#	PART#	DESCRIPTION	QUANTITY
1	316455	ENGINE - PERKINS DIESEL 104-19 IDI	1
2	313265	MOUNT - AIR CLEANER PERK 104-19	1
3	301544	ASSY - DISC FWD/REV PLTD	1
4	301507	COUPLING - LORD DIR CNTRL	1
5	301542	ARM - FWD/REV PLTD	1
6	300526	BUMPER - RUBBER 1/4 ID X 1/8 THK	8
7	400153	FTG - 90 9/16-18 TO #6	1
8	400154	FTG - 90 3/4-16 TO #8	1
9	303711	O-RING STATIC SEAL 3.239 ID	1
10	306820	FTG - REDUCER #20 TO #16 ARMA	1
11	400156	FTG - 90 1 5/16-12 TO #16	1
12	300543	SPRING - RETURN	4
13	300339	SLEEVE - SQ & FWD/REV	4
14	306743	PUMP - HYD IMPELLER MAIN/AUX	1
15	305640	FTG - NIPPLE 1/8 BPT - 1/8 NPT BRASS	1
16	301720	FTG - 90 EL 1/8 FPT	1
17	301459	BALL JOINT - #10-32 ZP	1
18	300464	MOUNT - ISOLATION	4
19	313258	MOUNT - ENG FRONT PERKINS 104-19	2
20	303961	FTG - OIL PAN DRAIN KUBOTA PLTD	1
21	302144	CLAMP - HOSE 1/2 NOM	2
22	313261	MOUNT - ENGINE REAR PERK 104-19	2
23	305320	COUPLING - PUMP DRIVE TOOTA MS	1
24	301134	ASSY - PUMP MTG PLATE KBA PNTD	1
25	310054	VALVE - TOW OPTION	1
26	400157	FTG - 45 3/4-16 TO #8	2
27	400167	FTG - ADAPTER 1 1/6-12 EXT TO 3/4-16 INT	2
28	303581	PUMP - MAIN VD FS	1
30	400155	FTG - 90 7/8-14 TO #8	2
31	302115	BRKT - FWD/REV PLTD	1
32	303918	SPACER - FWD/REV BRKT PLTD	1
	316369	ALTERNATOR - PERKINS DSL (SP)	1
	313270	ASSY - MNT THROTTLE PERKINS 104-19	1
	313270	ASSY - THROTTLE MNT PERK 104-19	1
	316423	BELT - FAN ENG PERK DSL 104-19	1

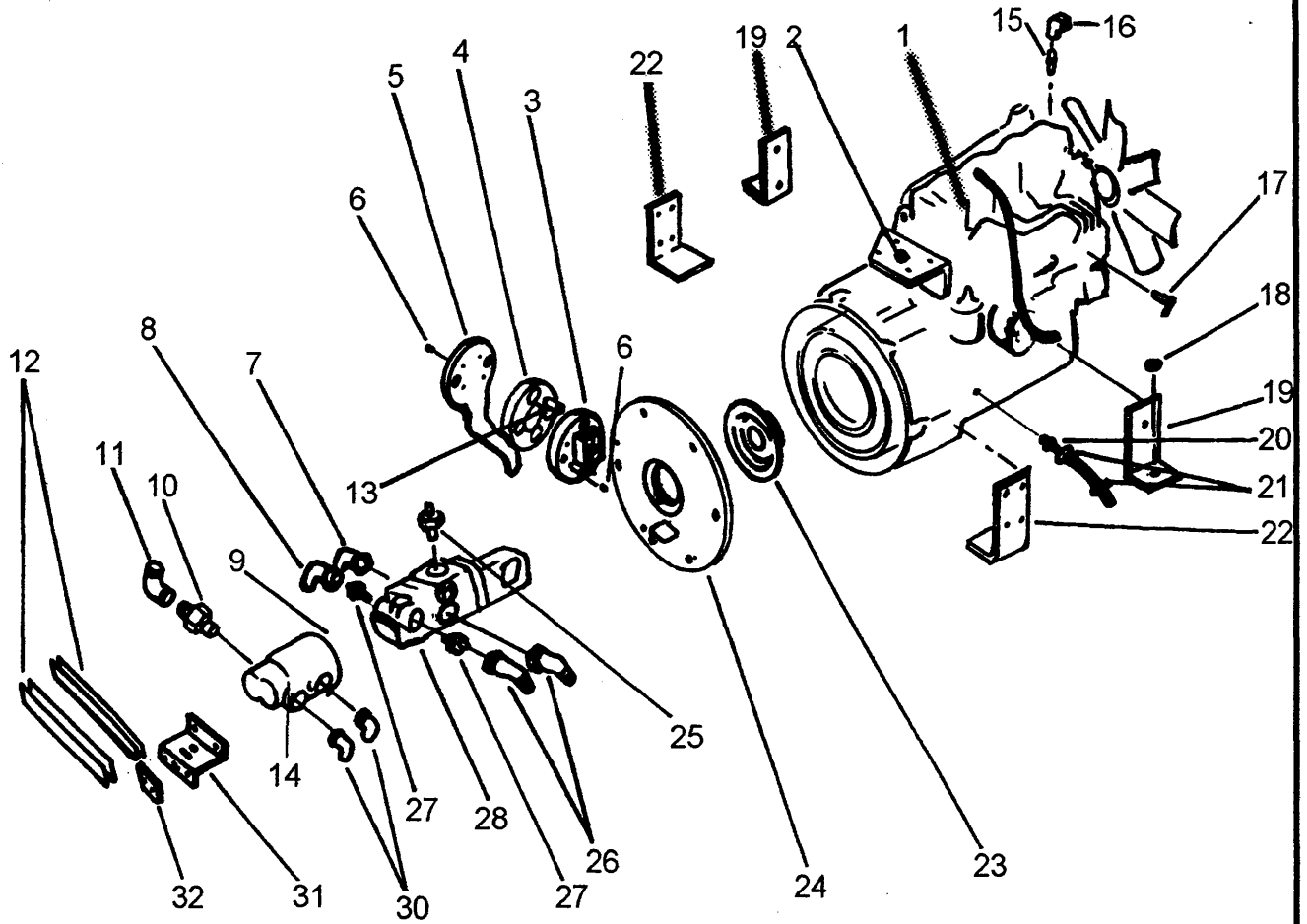
ENGINE -PERKINS (DIESEL - 104-19)



ENGINE -PERKINS (DIESEL 104-19) (90 ONLY)

REF#	PART#	DESCRIPTION	QUANTITY
	316370	FAN - PERKINS DSL ENG (SP)	1
	316422	FILTER - FUEL PERKINS DSL 104-19	1
	316421	FILTER - OIL PERKINS DSL 104-19	1
	316371	FLYWHEEL - PERKINS DSL ENG (SP)	1
	316372	HOUSING - FLYWHEEL PERKINS (SP)	1
	400072	NUT - HEX #10-32 ZP	1
	400081	NUT - HEX 1/4-20 ES ZP	3
	400071	NUT - HEX 1/4-20 ZP	2
	400180	NUT - HEX 1/4-28 ZP	9
	400079	NUT - HEX 3/8-16 ES ZP	4
	400080	NUT - HEX 5/16-18 ES ZP	4
	400070	NUT - HEX 5/16-18 ZP	2
	400069	NUT - HEX 5/16-24 ZP	2
	400195	NUT - HEX 8MM 1.25 P BLUE CR PLTD	2
	400191	PIN - ROLL 5/16 DIA X 1.0	2
	302961	PLATE - WS TAP ES OPTION	1
	400613	SCREW - 14MM X 1.5 X 25MM	4
	400023	SCREW - HEX 1/2-13 X 1.0 ZP	4
	400040	SCREW - HEX 1/4-20 X 1.0 ZP	2
	400149	SCREW - HEX 1/4-20 X 1.5 ZP	2
	400173	SCREW - HEX 1/4-20 X 1.75 ZP	1
	400030	SCREW - HEX 3/8-16 X 1.0 ZP	6
	400029	SCREW - HEX 3/8-16 X 1.25 ZP	2
	400031	SCREW - HEX 3/8-16 X 2.0 ZP	1
	400035	SCREW - HEX 5/16-18 X 1.0 ZP	10
	400033	SCREW - HEX 5/16-18 X 1.5 ZP	2
	400038	SCREW - HEX 5/16-18 X 2.25 ZP	2
	400228	SCREW - HEX 5/16-24 X 1.5 ZP	2
	400196	SCREW - HEX 8MM X 1.25 P X 25MM ZP	2
	300387	SENDER - OIL PRESSURE	1
	316368	STARTER - PERKINS DSL ENG (SP)	1
	313271	TUBE - AIRCLEANER PERKINS 104-19	1
	400089	WASHER - FLAT 1/4 STANDARD ZP	8
	400087	WASHER - FLAT 3/8 STANDARD ZP	3

ENGINE -PERKINS (DIESEL - 104-19)

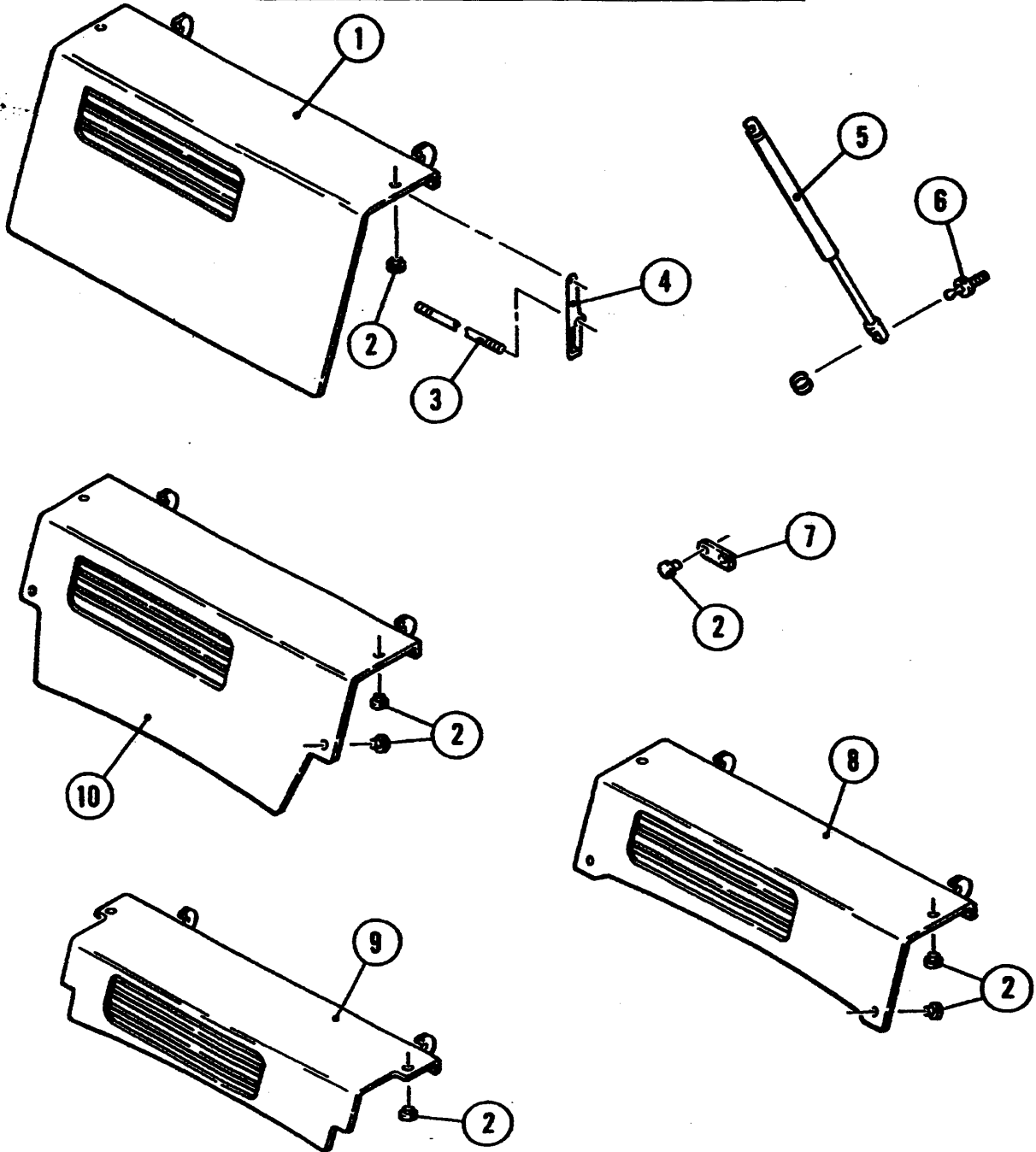


ENGINE -PERKINS (DIESEL 104-19) (90 ONLY)

REF#	PART#	DESCRIPTION	QUANTITY
	400088	WASHER - FLAT 5/16 STANDARD ZP	1
	400086	WASHER - FLATE 1/2 STANDARD ZP	10
	400098	WASHER - LOCK 1/2 SPLIT ZP	10
	400103	WASHER - LOCK 1/4 SPLIT ZP	10
	400614	WASHER - LOCK 14MM	4
	400101	WASHER - LOCK 3/8 SPLIT ZP	8
	400102	WASHER - LOCK 5/16 SPLIT ZP	15
	313268	WIRING HARNESS - ENG PERKINS 104-19	1



ENGINE COVER







### ENGINE COVER

REF#	90 SER	80 SER	DESCRIPTION	QUANTITY
1	301784	301787	COVER ASSEMBLY, CSS ENGINE, PAINTED	
2	300526		BUMPER, ENGINE COVER, RUBBER	
3	303993	303994	HANDLE, CSS ENGINE COVER, PLTD.	
4	303992		LATCH, CSS ENGINE COVER, PLTD.	
5	300375		SPRING, GAS, COVER	
6	300376		STUD, BALL, GAS SPRING	
7	302442		SUPPORT, COVER, CSS	
8	300992	301502	ASSY ENGINE COVER (LOW DUMP)	
9	301211	301505	ASSY ENGINE COVER (HIGH DUMP)	
10	301778	301781	ASSY ENGINE COVER (ISS)	



EXHAUST - KUBOTA

---

***TO BE SUPPLIED AT A LATER DATE***

EXHAUST - KUBOTA

***TO BE SUPPLIED AT A LATER DATE***



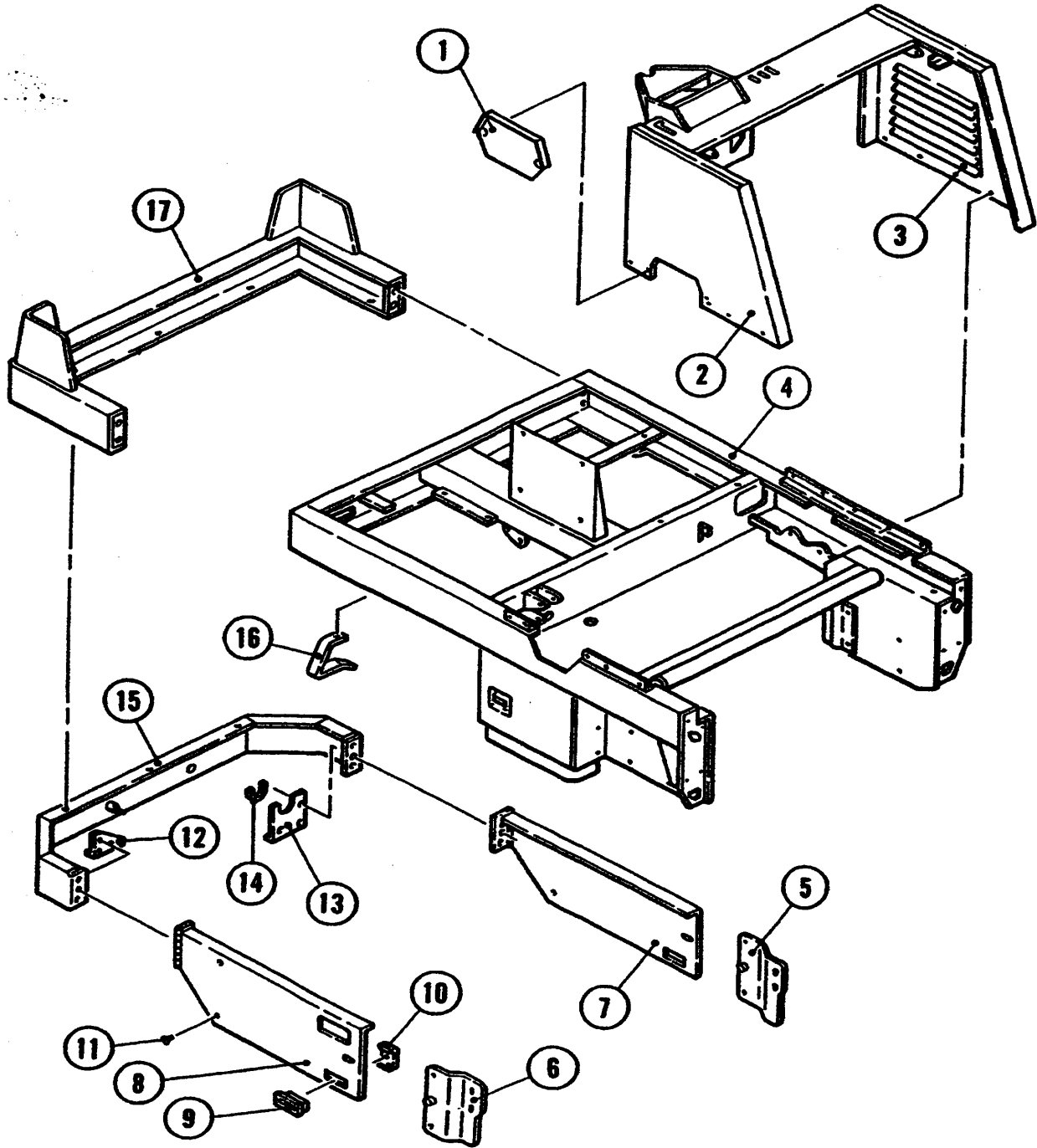
EXHAUST - PERKINS

***TO BE SUPPLIED AT A LATER DATE***

EXHAUST - PERKINS

***TO BE SUPPLIED AT A LATER DATE***

FRAME

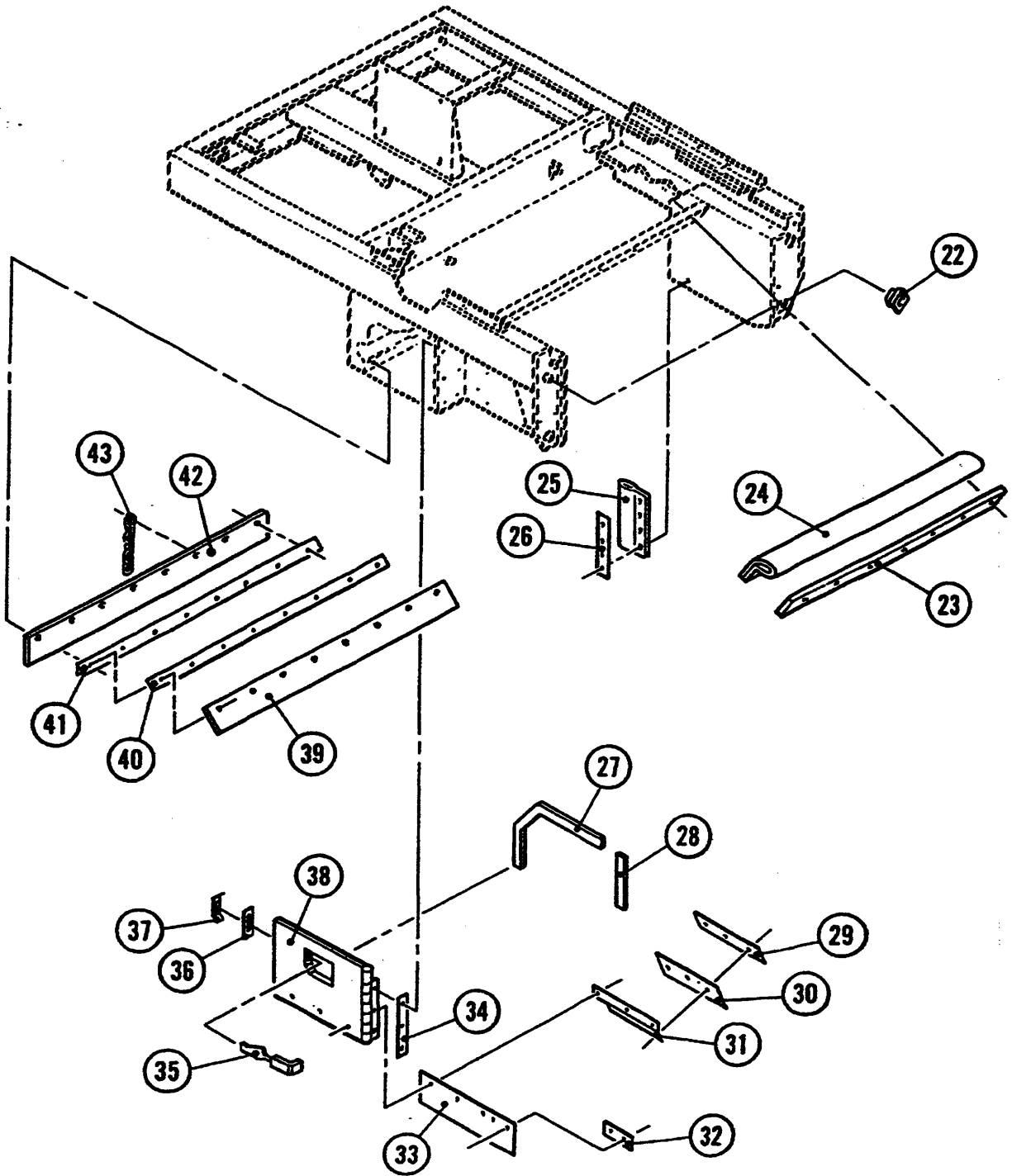




## FRAME

REF#	90 SER	80 SER	DESCRIPTION	QUANTITY
1	304970	305380	COVER ASSEMBLY, PUMP, PAINTED	
2	300269	300270	LINTEL ASSEMBLY, PAINTED (LOW DUMP)	
	300833	300831	LINTEL ASSEMBLY, PAINTED (HIGH DUMP)	
3	303150		GRILL ASSEMBLY, RADIATOR	
4	305825	305799	FRAME ASSEMBLY	
5	300935		RETAINER ASSEMBLY, SCRUB DOOR (LH)	
6	300933		RETAINER ASSEMBLY, SCRUB DOOR (RH)	
7	301225		DOOR ASSEMBLY, SCRUB (LH)	
8	301227		DOOR ASSEMBLY, SCRUB (RH)	
9	300380		LATCH ASSEMBLY	
10	302342		RETAINER, LATCH	
11	300526		BUMPER, RUBBER	
12	301290		STOP, SQUEEGEE (RH)	
13	305876		STOP, SQUEEGEE (LH)	
14	301618		EDGING, SQUEEGEE STOP	
15	305878	305877	GUARD ASSEMBLY, SQUEEGEE	
16	301413		SUPPORT, DRAIN HOSE	
17	300811	305926	EXTENSION ASSEMBLY, BUMPER	
	304597		EXTENSION ASSEMBLY, BUMPER (HIGH CAPACITY)	
18	301386		SEAL, LIFT ROD, MAIN BROOM (NOT ILLUSTRATED)	
19	301387		SEAL, LIFT ARM, MAIN BROOM (NOT ILLUSTRATED)	
20	306246		RETAINER, SEAL, LIFT ROD (NOT ILLUSTRATED)	
21	306248		COVER, CLEAN OUT, ENGINE PAN (NOT ILLUSTRATED)	
22	301168		EDGING, CURB BROOM	
23	300949	300206	STRAP, HOPPER FRAME	
24	300190	300180	SEAL, HOPPER FRAME	
25	300397		SEAL, HOPPER, SIDE	
26	300150		RETAINER, SIDE SEAL	
27	300549		GASKET, BROOM DOOR	
28	309279		GASKET, FRONT, BROOM DOOR	
29	306380		STRAP, FLAP, INNER BROOM DOOR	
30	306377		FLAP, INNER, BROOM DOOR	
31	306378		MOUNT, INNER BROOM DOOR FLAP (RH)	
	306379		MOUNT, INNER BROOM DOOR FLAP (LH)	
32	305868		STRAP, INNER BROOM DOOR FLAP	
33	305870		FLAP, BROOM DOOR	
34	300888		SPACER, BROOM DOOR	
35	305865		HANDLE, BROOM DOOR (RH)	
	305864		HANDLE, BROOM DOOR (LH)	
36	305869		SEAL, BROOM DOOR LATCH	
37	305866		RETAINER, SEAL, BROOM DOOR LATCH	
38	305854		DOOR ASSEMBLY, MAIN BROOM (RH)	
	305855		DOOR ASSEMBLY, MAIN BROOM (LH)	
39	305788	305786	SKIRT, INNER	

FRAME (CONT.)



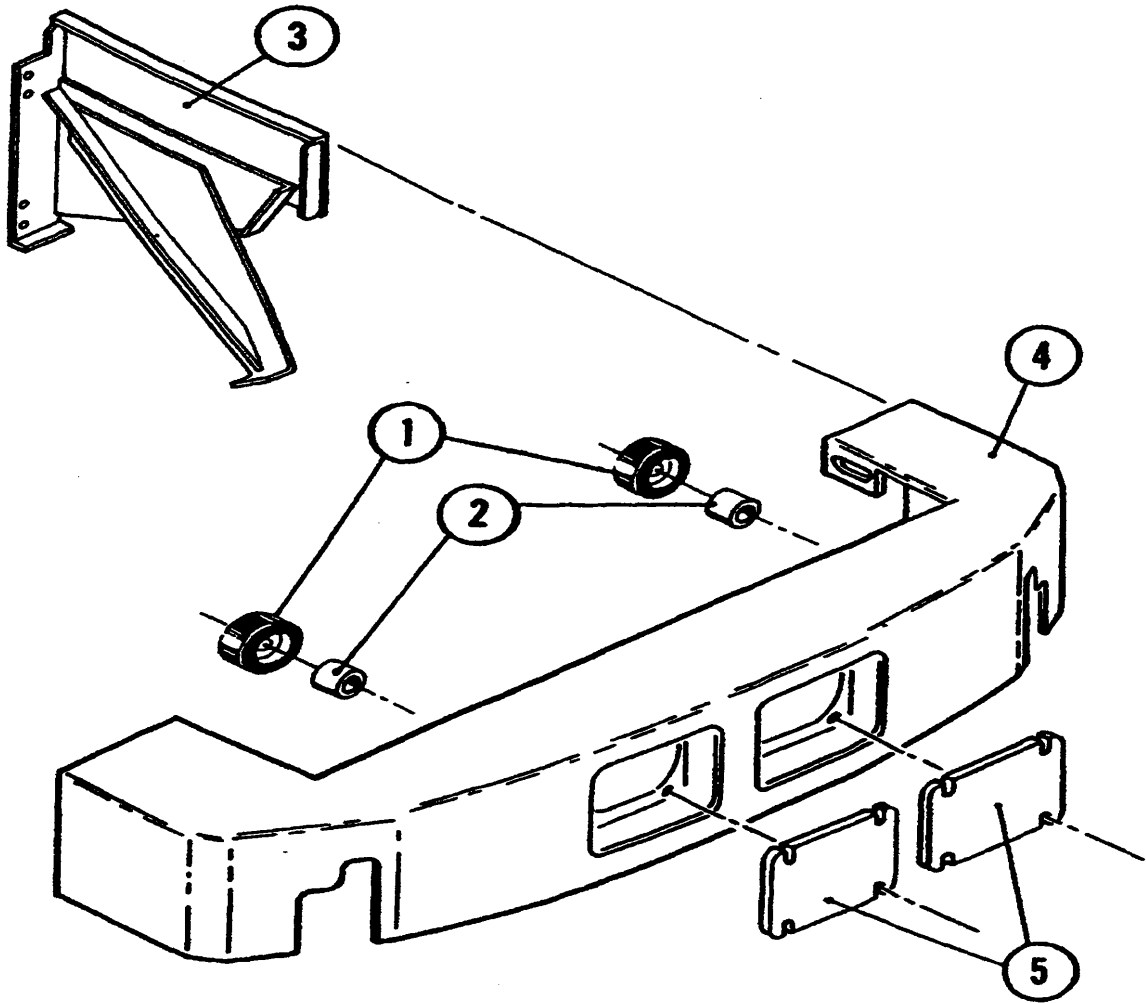




## FRAME (CONT.)

REF#	90 SER	80 SER	DESCRIPTION	QUANTITY
40	305801	305792	STRAP, SKIRT, INNER	
41	305802	305791	ANGLE, SKIRT	
42	305787	305785	SKIRT, OUTER	
43	301648		CHAIN, GROUNDING	

FRONT BUMPER

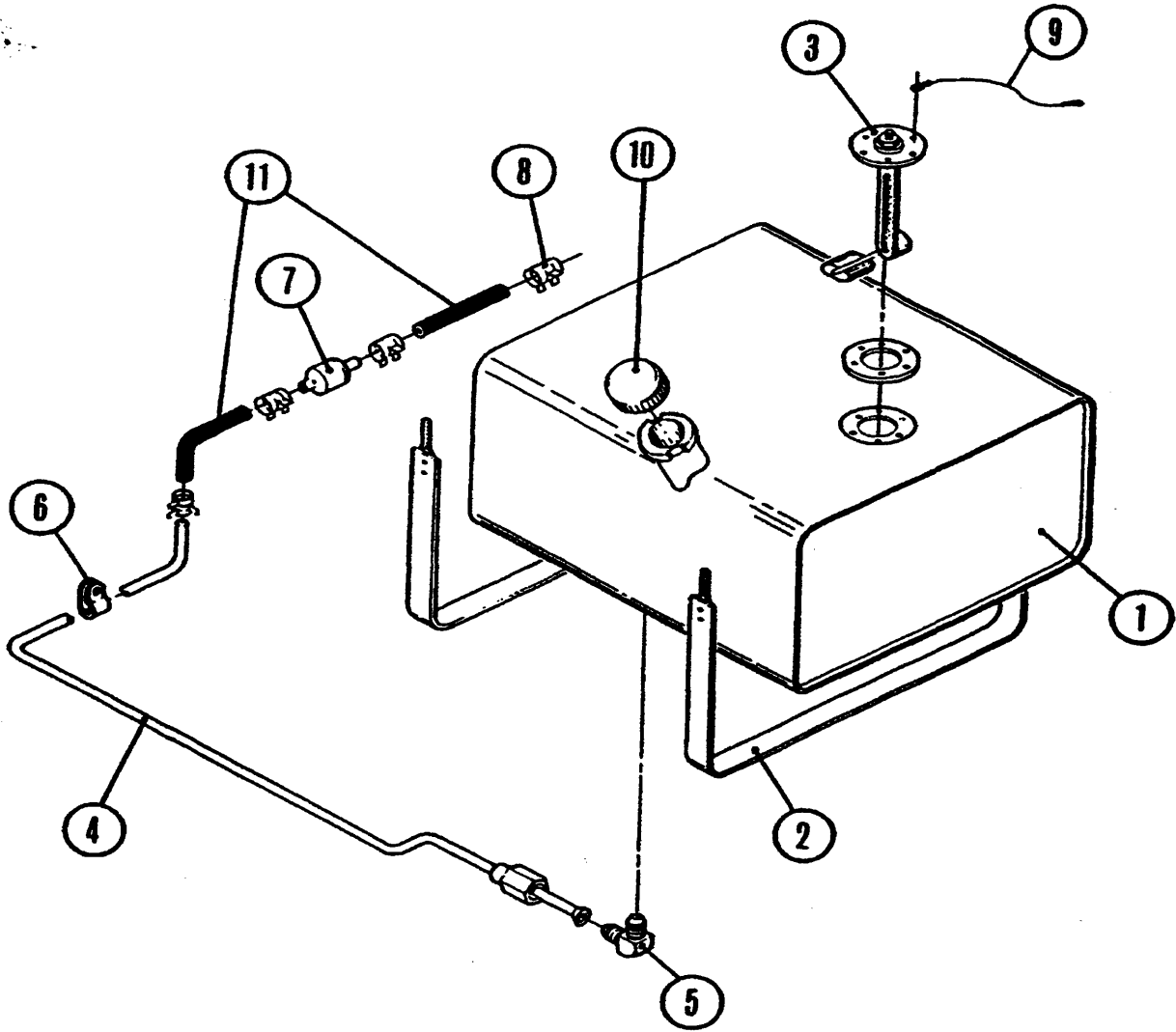




## FRONT BUMPER

REF#	90 SER	80 SER	DESCRIPTION	QUANTITY
1	300338		BUMPER, RUBBER	
2	301085		SPACER, FRONT BUMPER	
3	301687		LEG ASSEMBLY, SAFETY (HD)	
	305543		EXTENSION ASSEMBLY, FRAME (LD)	
4	301042	301038	BUMPER ASSEMBLY, FRONT	
5	301662		FILTER, HEADLIGHT	
6	304624		BUMPER, RUBBER CAP (NOT ILLUSTRATED)	
7	400355		SCREW, LEVEL BOLT (NOT ILLUSTRATED)	

FUEL SYSTEM



**FUEL SYSTEM**

REF#	90 SER	80 SER	DESCRIPTION	QUANTITY
1	301023		TANK ASSEMBLY, FUEL	
2	300757		STRAP ASSEMBLY, FUEL TANK	
3	300388		SENDER ASSEMBLY, FUEL	
4	301561		LINE ASSEMBLY, FUEL	
5	400183		FITTING, GASOLINE	
6	301558		CLAMP, FUEL LINE	
7	300417		FILTER, FUEL (NOT ON DIESEL)	
8	302338		CLAMP (NOT ON DIESEL)	
9	301363		WIRE, GROUND	
10	300393		CAP, GAS TANK	
11	302085		HOSE (SP) (NOT ON DIESEL)	

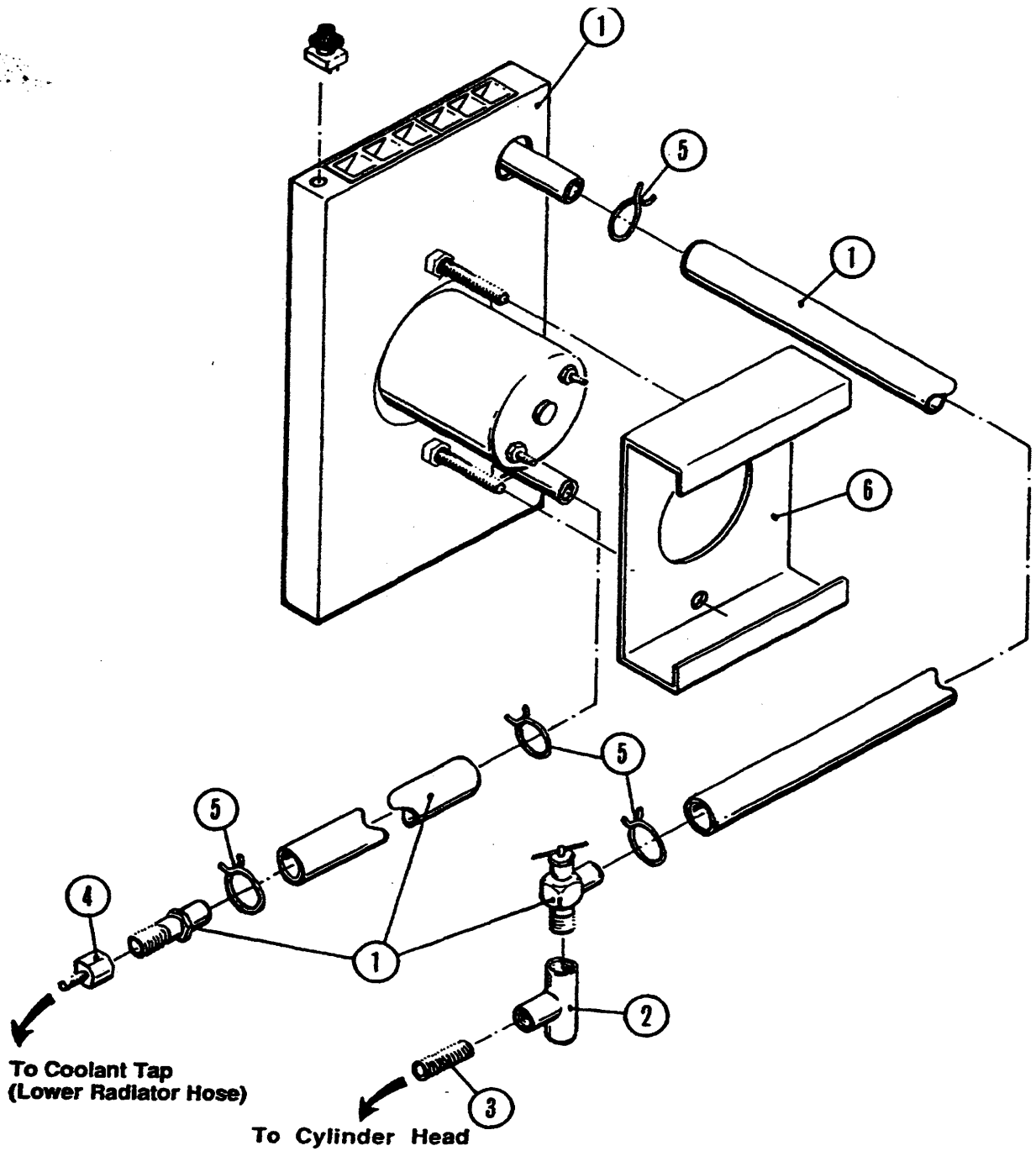
GRAMMER SEAT



GRAMMER SEAT (90 ONLY)

REF#	PART#	DESCRIPTION	QUANTITY
1	300489	SEAT- GRAMMER MODEL #GS-12	1
	302482	BUMPER - SEAT MOUNT	2
	400036	SCREW - HEX 5/16 - 18 x .75 ZP	4
	400390	NUT - HEX 5/16 - 18 ZP	4
	400102	WASHER - LOCK 5/16 SPLIT ZP	2
	309027	MNT - SEAT UNIVERSAL PNTD	1
	309028	HINGE - SEAT UNIVERSAL PNTD	1
	400207	SCREW - HEX 5/16 - 18 x .5 ZP	2
	400088	WASHER - FLAT 5/16 STANDARD ZP	2
	400390	NUT - FLANGE LOCK 5/16 - 18 ZP	2
	400199	SCREW - HEX 1/4 - 20 x .75 ZP	2
	400089	WASHER - FLAT 1/4 STANDARD ZP	2

### HEATER/DEFROSTER



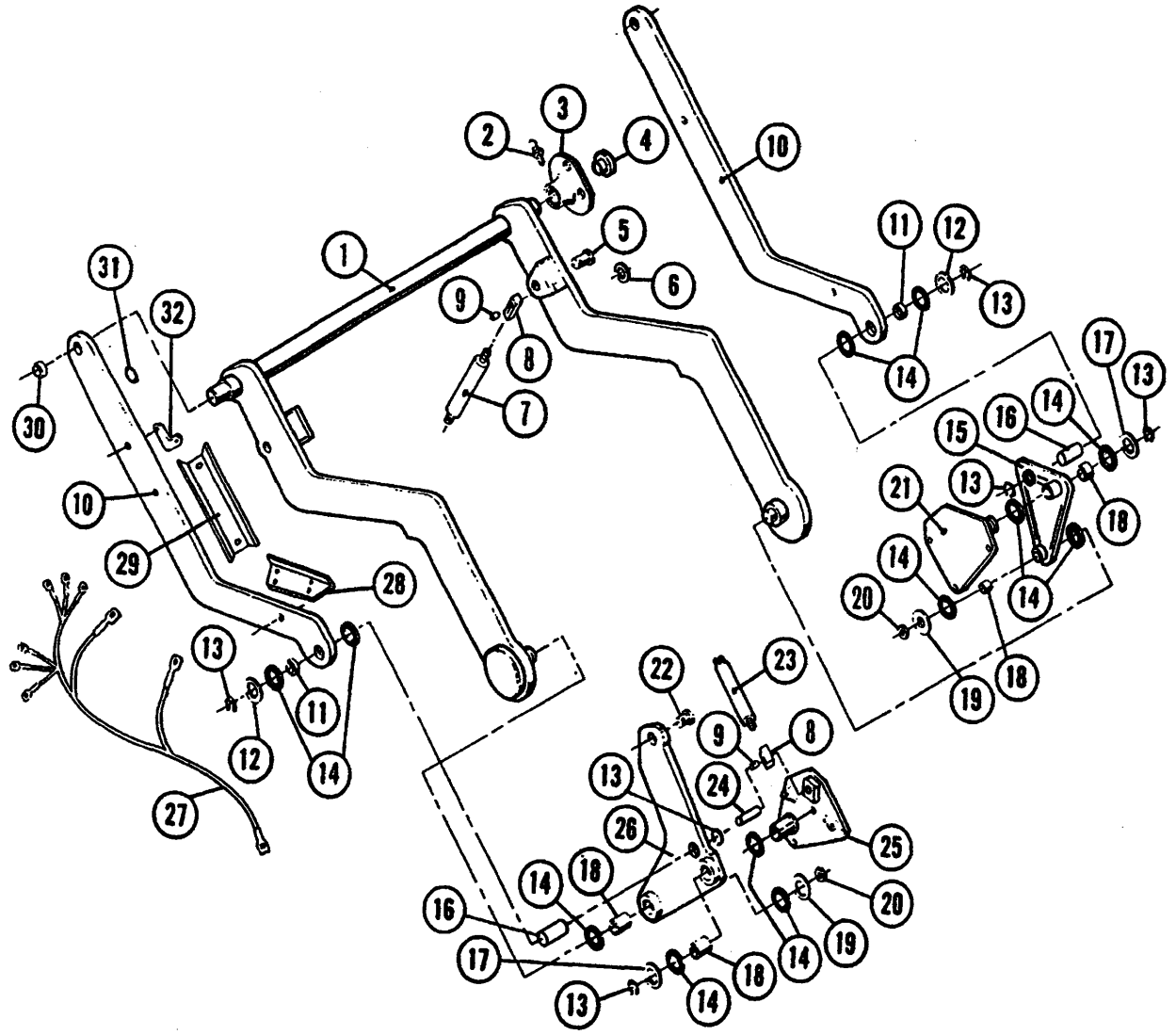




## HEATER/DEFROSTER

REF#	90 SER	80 SER	DESCRIPTION	QUANTITY
1	302495		HEATER, CAB	
2	303303		FITTING, TEE 3/8 NPT	
3	303304		FITTING, NIPPLE 3/8	
4	303302		FITTING, REDUCER 3/8 NPT x 1/4 NPT	
5	302144		CLAMP, HOSE #6	
6	303251		BRACKET, HEATER MOUNT	

HIGH DUMP ARM ASSEMBLY

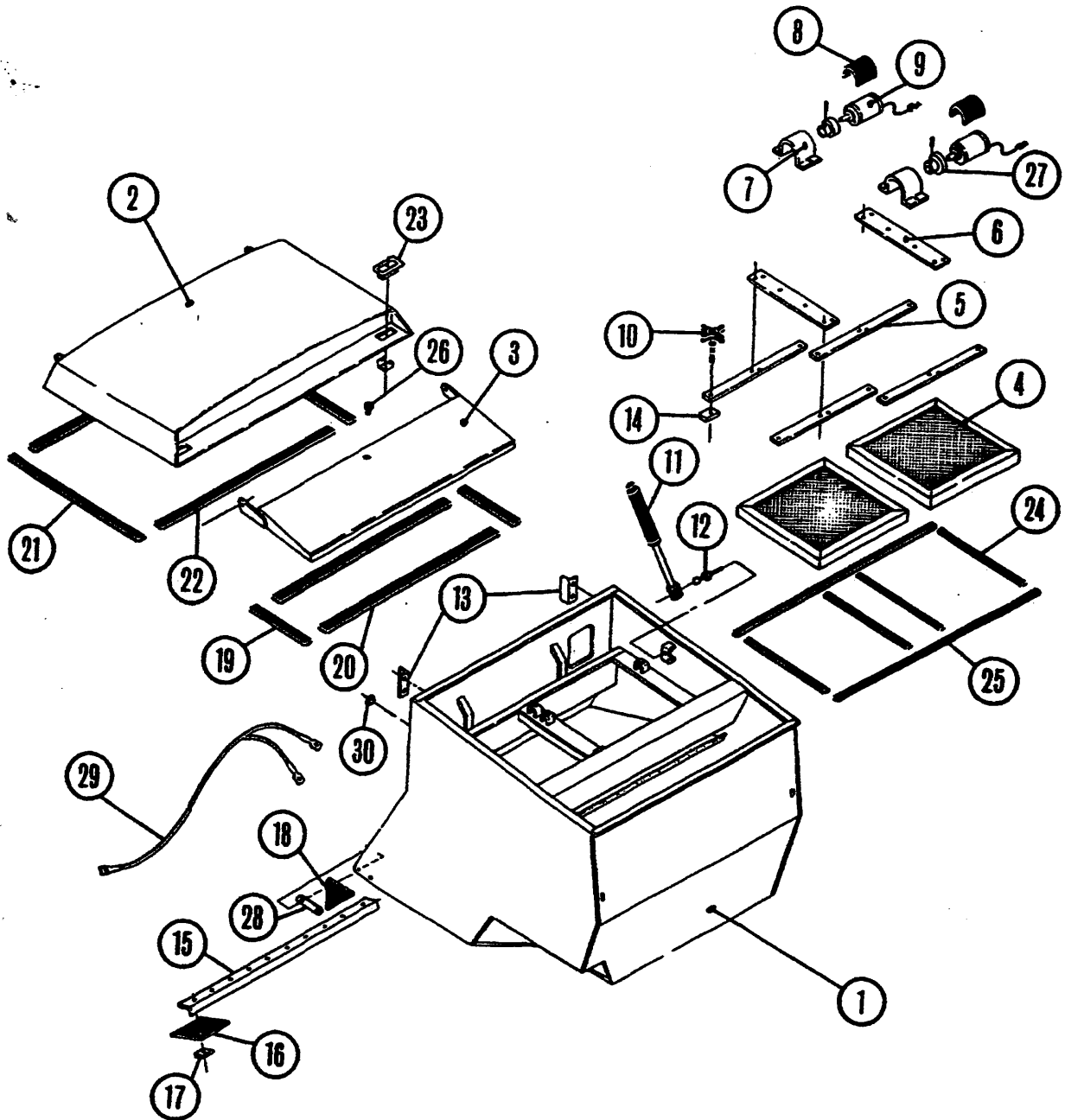




### HIGH DUMP ARM ASSEMBLY

REF#	90 SER	80 SER	DESCRIPTION	QUANTITY
1	300824	300822	ARM ASSEMBLY	
2	400012		FITTING, GREASE	
3	301075		MOUNT ASSEMBLY, DUMP ARM	
4	301420		SPACER, DUMP ARM	
5	303360		PIN, UPPER CYLINDER MOUNT	
6	301998		RING, RETAINING	
7	300426		CYLINDER, HYDRAULIC LIFT	
8	300229		END, ROD	
9	300552		BUSHING, 1" I.D. x 1.24" O.D. x 1.50"	
10	300829		ARM, LIFT, SECONDARY	
11	300836		BEARING, 2.8" O.D. x 2.0" I.D. x .75"	
12	300882		WASHER	
13	301709		RING, RETAINING	
14	400177		BEARING, THRUST	
15	300713		PLATE ASSEMBLY, ARM ROTATION	
16	300715		SHAFT, ARM ROTATION PLATE	
17	300882		WASHER	
18	300840		BEARING, 2.18" O.D. x 2.0" I.D. x 1.50"	
19	300879		WASHER, 3.25" O.D. x 1.00" I.D.	
20	400076		NUT, HEX JAM, 1.25" SLOTTED	
21	300711		MOUNT ASSEMBLY, ROTATION (LH)	
22	301996		PIN, ROTATING CYLINDER OUTER	
23	300407		CYLINDER, HYDRAULIC ROTATION	
24	301997		PIN, ROTATION CYLINDER	
25	300697		MOUNT ASSEMBLY, ROTATION (RH)	
26	300809		ARM ASSEMBLY, ROTATING CYLINDER MOUNT	
27	302030		HARNESS, WIRING (HD)	
28	303873		BRACKET, HYDRAULIC HOSE, FORWARD (HD)	
29	303170		CLIP, HYDRAULIC HOSE (HD)	
30	300837		BEARING	
31	301665		GROMMET	
32	302037		BRACKET, UPPER SWITCH	

### HIGH DUMP HOPPER



HIGH DUMP HOPPER

REF#	90 SER	80 SER	DESCRIPTION	QUANTITY
1	300125	300099	HOPPER ASSEMBLY	
2	300769	300767	HOOD ASSEMBLY, HOPPER	
3	300121	300114	LID ASSEMBLY, HOPPER	
4	305646	305645	FILTER, DUST CONTROL	
5	300919	300921	BAR, FILTER RETAINER	
6	300917		MOUNT, FILTER SHAKER	
7	300915		RETAINER, SHAKER	
8	300904		MOUNT, NEOPRENE SHAKER (MOTOR)	
9	300424		MOTOR, SHAKER FILTER	
10	300353		KNOB, CLAMPING FILTER RETAINER	
11	300375		GAS, SPRING COVER	
12	300376		STUD, BALL GAS SPRING	
13	300946		HINGE, HOPPER COVER	
14	301155		CLIPNUT, 5/16 - 18	
15	300188	300205	ANGLE, FLAP HOPPER	
16	300195	300194	FLAP, HOPPER FRONT	
17	301146		CLIPNUT, 1/4 - 20	
18	300151		FLAP, HOPPER SIDE	
19	300662		GASKET, LID SHORT	
20	300555		GASKET, LID LONG	
21	300429		GASKET, HOOD SHORT	
22	300428		GASKET, HOOD LONG	
23	300380		LATCH ASSEMBLY, #HTL81	
24	300449		GASKET, FILTER DUST SHORT	
25	300418	300419	GASKET, FILTER DUST LONG	
26	300526		BUMPER, RUBBER ENGINE COVER	
27	301053		WEIGHT, ECCENTRIC	
28	302146		BACKING, HOPPER SIDE CORNER	
29	302033		WIRING HARNESS, HIGH DUMP	
	301368		WIRING HARNESS, LOW DUMP	
30	301668		STRAIN RELIEF	

### HOPPER FIRE INDICATOR

